

## Important Safety Instructions

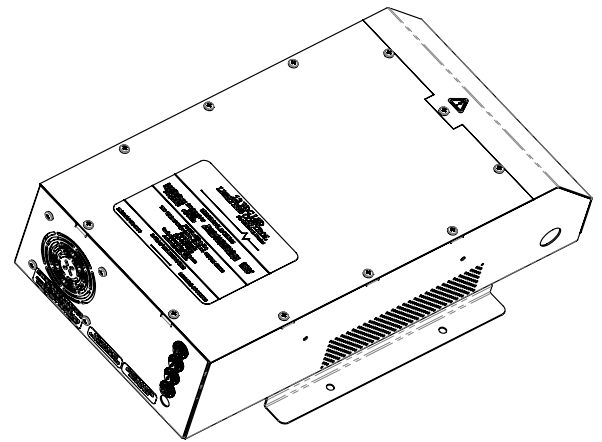
When using electrical equipment, basic safety precautions should always be followed including the following:

### Read And Follow All Safety Instructions

- Warning:** This luminaire must be installed in accordance with the NEC or your local electrical code. If you are not familiar with these codes and requirements, consult a qualified electrician.  
*Attention: Ce luminaire doit être installé conformément au NEC ou à votre code électrique local. Si vous n'êtes pas familier avec ces codes et exigences, consultez un électricien qualifié.*
- Warning:** This equipment is not for use in hazardous combustible atmospheres as defined by the National Electrical Code.  
*Avertissement : Cet équipement ne doit pas être utilisé dans des atmosphères combustibles dangereuses telles que définies par le National Electrical Code.*
- Danger:** Risk of shock – Disconnect power before installation.  
*Danger: Risque de choc – Couper l'alimentation avant l'installation*
- This product must be installed in accordance with the applicable installation code by a person familiar with the construction and operation of the product and the hazards involved.  
*Ce produit doit être installé selon le code d'installation pertinent, par une personne qui connaît bien le produit et son fonctionnement ainsi que les risques inhérents.*

### DCLC Power Supply

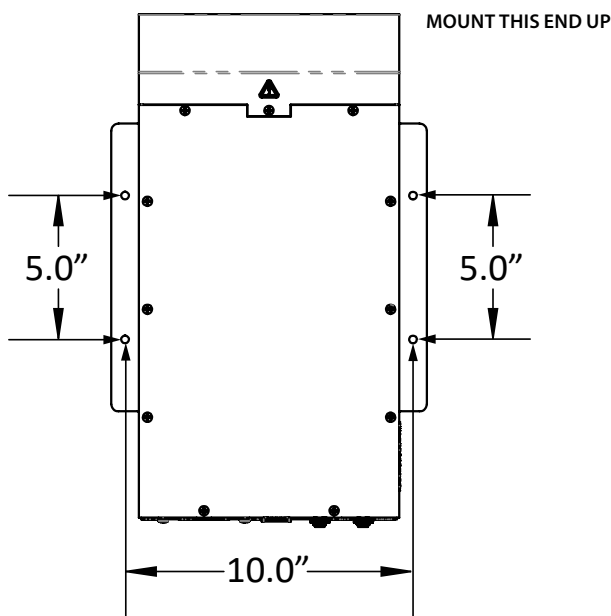
1-05-000006	1-05-000019	1-05-000042	1-05-000053
1-05-000007	1-05-000020	1-05-000043	1-05-000054
1-05-000008	1-05-000025	1-05-000044	1-05-000055
1-05-000009	1-05-000026	1-05-000045	1-05-000056
1-05-000010	1-05-000027	1-05-000046	1-05-000057
1-05-000011	1-05-000028	1-05-000047	1-05-000058
1-05-000012	1-05-000029	1-05-000048	1-05-000059
1-05-000013	1-05-000030	1-05-000049	1-05-000060
1-05-000014	1-05-000031	1-05-000050	1-05-000061
1-05-000015	1-05-000032	1-05-000051	1-05-000062
1-05-000017	1-05-000033	1-05-000052	



## Save These Instructions For Future Reference

### Installation

Diagram 1 - Mounting Hole Dimensions



### DCLC Mounting Instructions

**Note:** The DCLC Power Supply requires a minimum clearance of 4" (100 mm) around the entire enclosure.

**Step 1:**  
Turn off the power supply.

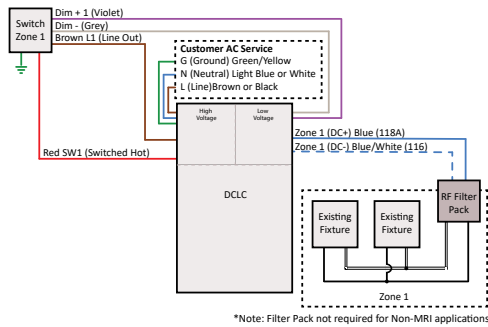
**Step 2:**  
Choose a suitable location and appropriate mounting surface in the Equipment Room with access to the RF Filters for the RF Shielded enclosure.

**Note:** Be sure to mount the DCLC within close proximity to an appropriate 120V outlet while maintaining 4" (100 mm) around the entire enclosure.

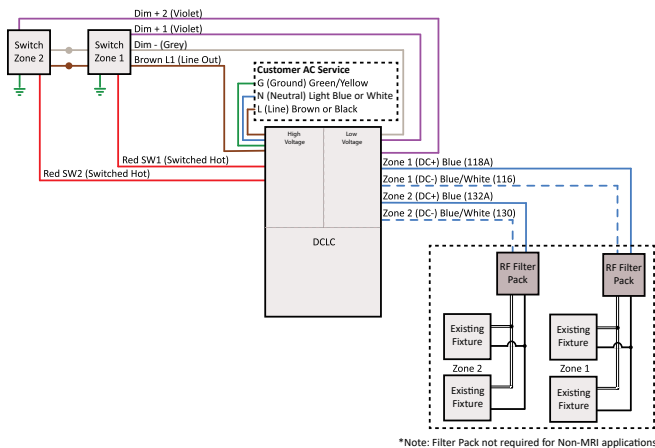
**Step 3:**  
To mark the hole position, use the 4 holes identified in Diagram 1 to mark the mounting surface for the location of the mounting hardware.

**Step 4:**  
Using hardware suitable for the mounting surface, install the DCLC Power Supply in the location marked in **Step 3**.

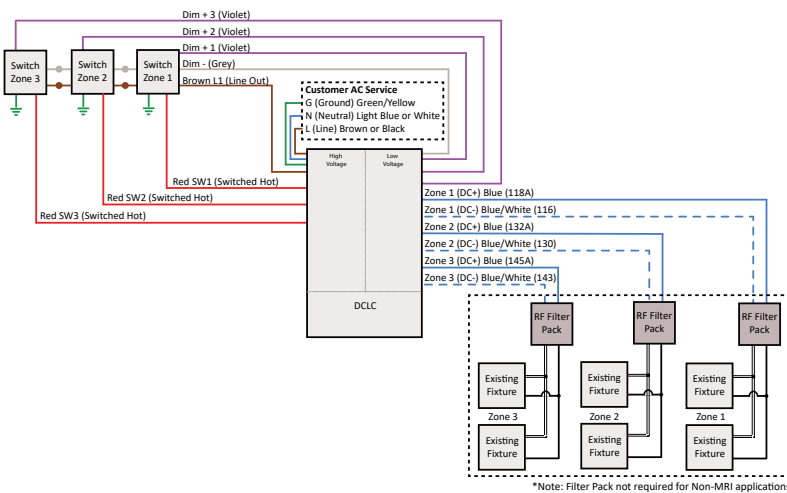
**Diagram 2 - System Wiring Diagram - 1 Zone**



**Diagram 3 - System Wiring Diagram - 2 Zone**



**Diagram 4 - System Wiring Diagram - 3 Zone**



## Wiring Instructions

### Step 1:

The DCLC Power Supply requires 120-240VAC, 50/60Hz and 15A dedicated circuit. Remove the phillips screw on the splice inspection box. Connect the conduit per the local electrical code.

### Step 2:

If the 0-10V dimming lines are ran in the same conduit as the AC wiring, separation of circuits must be maintained when entering the splice box.

### Step 3:

The DCLC can control up to three zones. Reference Diagram 2, 3 or 4 depending on the application.

### Step 4:

Using minimum 12 AWG output wires, make the following wiring connections.

#### PHASE TO PHASE WIRING – 208/240V

1. Connect L1 (Hot) supply lead to the brown or black lead.
2. Connect L2 (Hot) supply lead to the light blue or white lead.
3. Connect the green or green/yellow ground lead to the supply ground lead.

#### PHASE TO NEUTRAL WIRING – 120V

1. Connect the brown or black lead to the line supply lead.
2. Connect the light blue or white lead to the neutral supply lead.
3. Connect the green or green/yellow ground lead to the supply ground lead.

### Step 5:

Install the screw for the splice inspection box.

### Step 6:

Turn on power.



#### Directive 2012/19/EU (WEEE - Waste Electrical and Electronic Equipment): Information for Users

This product complies with EU Directive 2012/19/EU. The crossed out wheeled bin symbol on the article means that at the end of its useful lifespan, this product must not be disposed of with your other household or municipal waste. This product has required the extraction and use of natural resources for its production. It may contain hazardous substances that could impact health and the environment if not properly disposed. In order to avoid dissemination of those substances in our environment and to diminish the pressure on the natural resources, the user is responsible for delivering the appliance to an appropriate collection facility at the end of its useful lifespan. The separate collection and recycling of your waste equipment at the time of disposal will help conserve natural resources and ensure that it is recycled in a manner that protects human health and the environment. For more information on available collection facilities contact your local waste collection service or the place of purchase.