

Solar Series - MRI

DL6 - G2 Recessed 6" Downlight

3500K & 4000K

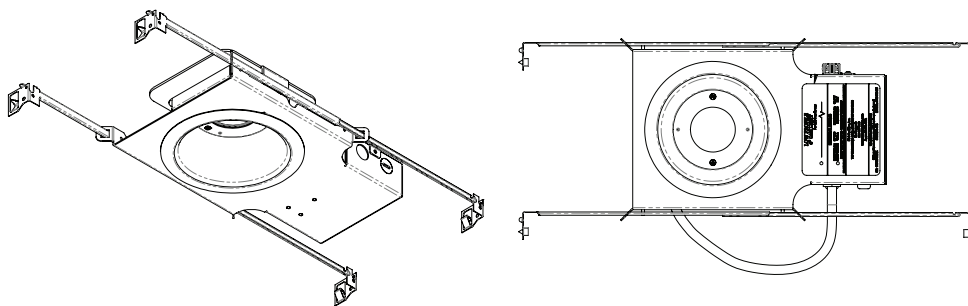
MRI Compatible

Product Description

The DL6 G2 Recessed Luminaire is designed for MRI suite applications and has a non-ferrous assembly which can be mounted within the MRI room. The DL6 G2 is available in color temperatures of 3500K and 4000K and comes equipped with either DC or Ethernet wiring. The DL6 G2 is supplied with a junction box and requires no additional housing or can for low-profile recessed applications. Contains no on-board electronics therefore will not interfere with MRI imaging. Certified to meet MRI vendor EMI requirements. MRI applications require EMI free emissions for specific frequency bands. All drive circuitry employs linear regulation and no pulse width modulation (PWM*).

Performance Summary

- Initial Delivered Lumens: 2500-2600 lm
- Input Power: 25 Watts
- CCT: 3500K-4000K
- Limited Warranty: 3 years
- Lifetime: Designed to last 50,000 hours
- Dimming: Linear



Mechanical				
	Minimum	Typical	Maximum	Units
Package	-	Self-Contained	-	ANSI Std.
Electrical Connection	-	Junction Box	-	ANSI Std.
Fixture Weight	-	< 2	-	lbs

Electrical				
	Minimum	Typical	Maximum	Units
Input Voltage	-	35	-	Vdc
Input Current	-	700	-	mA
Input Power	-	-	25	W
BTU	-	-	85.3	BTU/hr

Compliance				
	Minimum	Typical	Maximum	Units
IP	-	20	-	Dry Location
Regulatory	-	Listed	-	UL 2108 CSA 22.2#250.0
RoHS	-	Pending	-	2011/65/EU

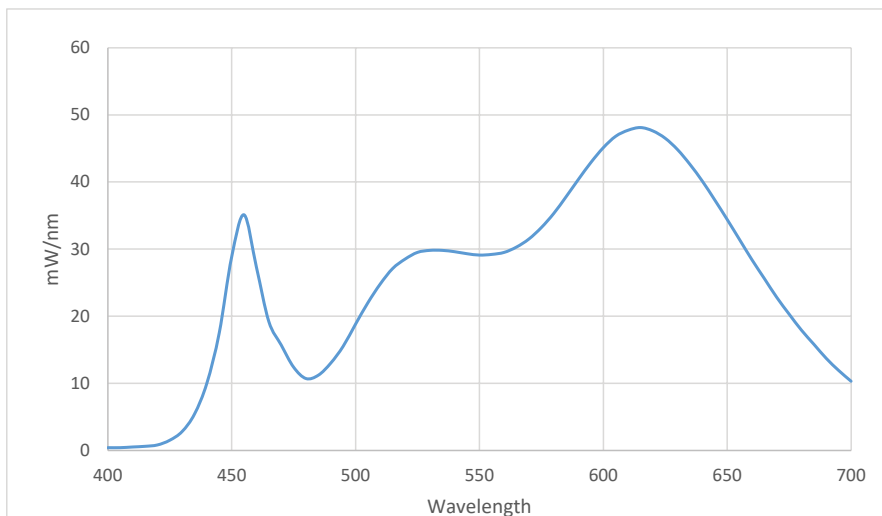
Environmental				
	Minimum	Typical	Maximum	Units
Storage Temperature	-40	25	85	C
Operating Temperature	-20	25	35	C
Humidity	5	-	95	%
Lifespan	50000	-	-	Hours
Warranty	3	-	-	Years

Installation Notes				
An RF Filter is required for proper operation in the MRI suite				
A Power Supply is required for proper operation in the MRI suite				
*PWM is known to cause image artifacts, audible noise and light flicker				

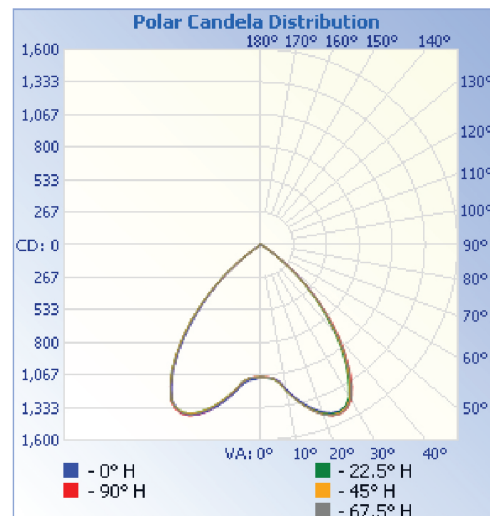
Photometric Data and IES Distribution - 3500K

	Minimum	Typical	Maximum	Units
Luminous Flux	-	2500	-	lm
CCT	-	3500	-	k
CRI	90	-	-	Ra
Chromaticity (u')	-	0.244	-	-
Chromaticity (v')	-	0.514	-	-
Efficacy	-	110.0	-	lm/W

Spectral Data Over Visible Wavelength - 3500K



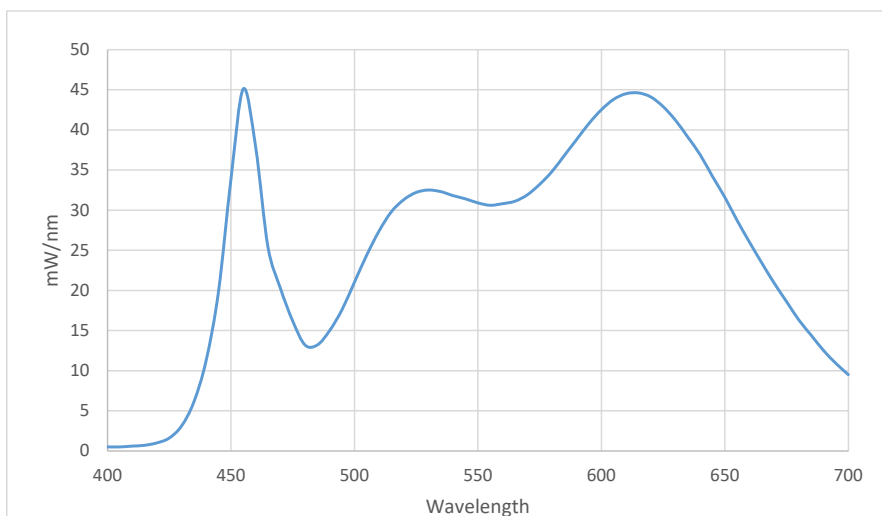
Polar Point - 3500K



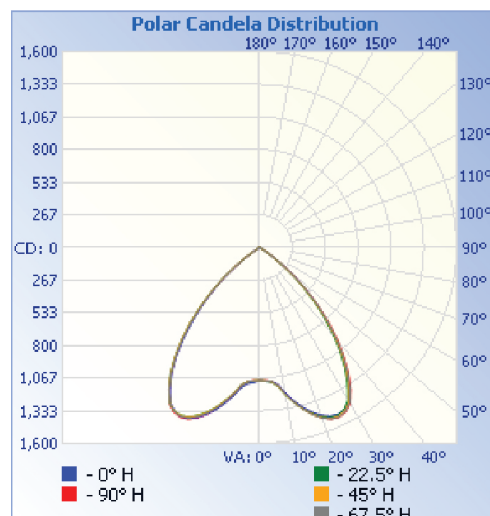
Photometric Data and IES Distribution - 4000K

	Minimum	Typical	Maximum	Units
Luminous Flux	-	2600	-	lm
CCT	-	4000	-	k
CRI	90	-	-	Ra
Chromaticity (u')	-	0.232	-	-
Chromaticity (v')	-	0.506	-	-
Efficacy	-	112.5	-	lm/W

Spectral Data Over Visible Wavelength - 4000K

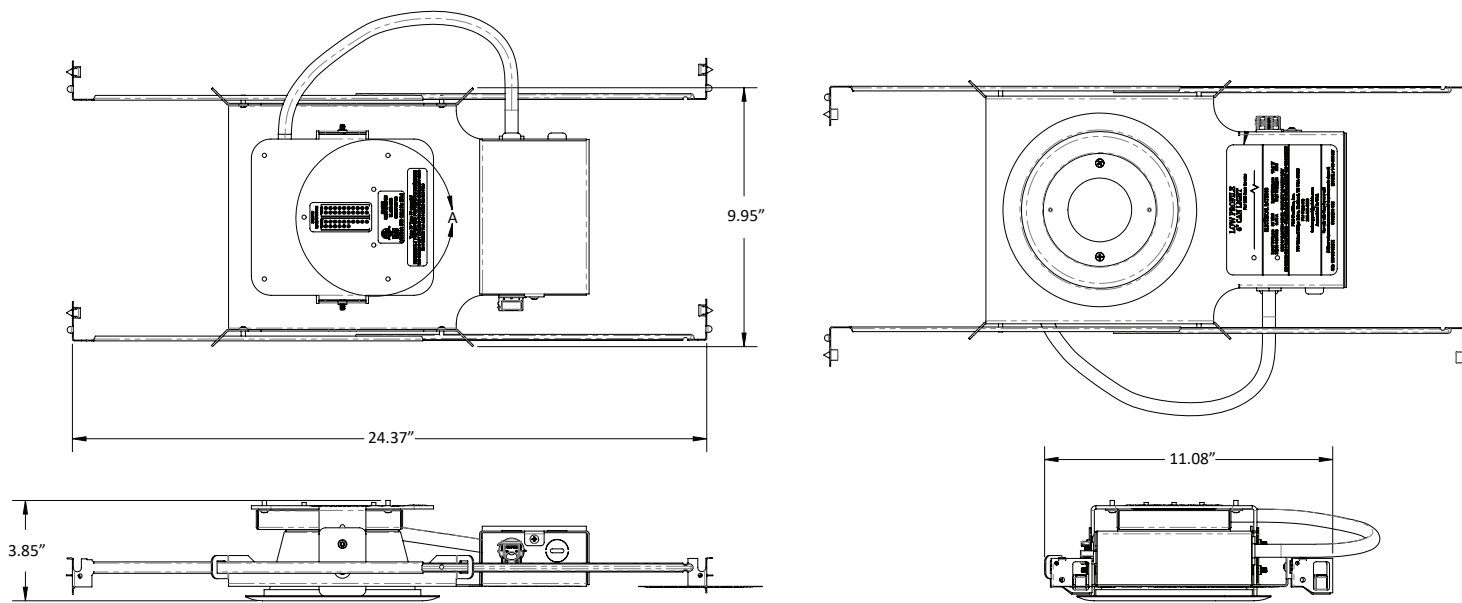


Polar Point - 4000K



Ordering Information	
Part Number	Description
1-07-000407	3500K DL6 - G2 Recessed 6" Downlight - DC Wiring
1-07-000408	3500K DL6 - G2 Recessed 6" Downlight - Ethernet Wiring
1-07-000409	4000K DL6 - G2 Recessed 6" Downlight - DC Wiring
1-07-000410	4000K DL6 - G2 Recessed 6" Downlight - Ethernet Wiring

Mechanical Dimensions*



*For informational purposes only. Content subject to change.

Amico Lights Corporation | 122-B East Beaver Creek Road, Richmond Hill, ON L4B 1G6, Canada | www.amico.com
 Toll Free Tel: 1.877.462.6426 | Toll Free Fax: 1.866.440.4986 | Tel: 905.764.0800 | Fax: 905.764.0862

ALT-SP-MRI-DL6-DOWNLIGHT-RECESSED-G2 09.29.2023

