

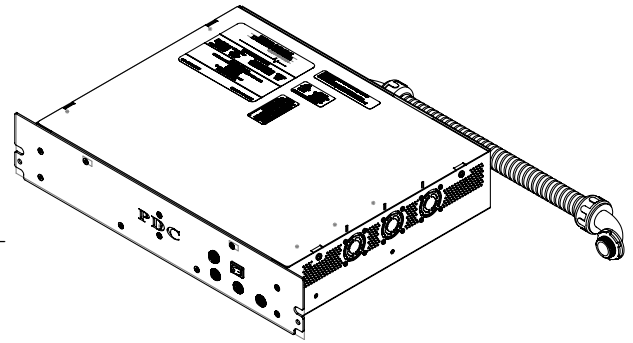
Important Safety Instructions

When using electrical equipment, basic safety precautions should always be followed including the following:

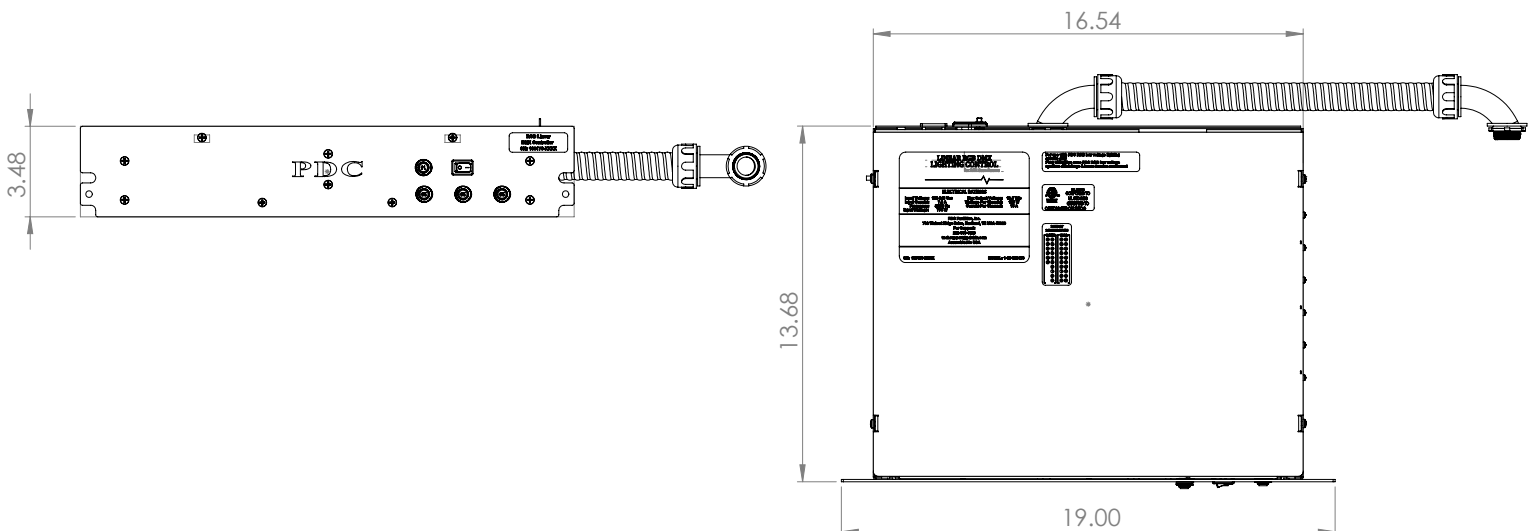
Read And Follow All Safety Instructions

1. **Warning:** This product must be installed in accordance with the NEC or your local electrical code. If you are not familiar with these codes and requirements, consult a qualified electrician. *Avertissement: Ce produit doit être installé conformément au NEC ou à votre code électrique local. Si vous n'êtes pas familier avec ces codes et exigences, consultez un électricien qualifié.*
2. **Warning:** This equipment is not for use in hazardous combustible atmospheres as defined by the National Electrical Code. *Avertissement: Cet équipement ne doit pas être utilisé dans des atmosphères combustibles dangereuses telles que définies par le Code national de l'électricité.*
3. **Warning:** This equipment must be installed, operated and serviced only by trained, qualified individuals. *Avertissement: Cet équipement doit être installé, utilisé et réparé uniquement par des personnes formées et qualifiées.*
4. **Caution - Risk of shock.** Disconnect all power sources. *Attention - Risque de choc. Déconnecter toutes les sources d'alimentation.*
5. This equipment is not suitable for use in locations where children are likely to be present. *Cet équipement ne convient pas pour une utilisation dans des endroits où des enfants sont susceptibles d'être présents.*
6. This product is intended only for use in a Restricted Access Area. *Ce produit est uniquement destiné à être utilisé dans une zone d'accès restreint.*

1-05-000173 - Wall Mount Assembly



Save These Instructions For Future Reference



Installation:

Mounting: Stud Mount Bracket Installation

Step 1:

Determine the mounting location by holding the frame at the desired position on the wall. **Note:** Not intended for use in metal studs.

Step 2:

To mark the hole position, use the 4 holes identified in **Diagram 1** to mark the mounting surface for the location of the screws.

Note: The Auger Style Anchors are not required when installing directly into the Wall Studs.

Step 3:

Using the 4 Anchor Screws supplied in the kit, install the frame in the location marked in Step 2.

Drywall Mount Bracket Installation

Step 1:

Determine the mounting location by holding the frame at the desired position on the wall.

Step 2:

To mark the hole position, use the 6 holes identified in **Diagram 2** to mark the mounting surface for the location of the Auger Style Anchors. Install the 6 anchors in the marked locations.

Step 3:

Using the 6 screws supplied in the kit, install the frame in the location marked in Step 4.

RGB Linear Power Supply DMX Installation

Step 1:

Once the mounting bracket is securely installed, slide the RGB Linear Power Supply DMX into the bracket with the wire connections facing down. See **Diagram 3**.

Step 2: Secure the RGB Linear Power Supply DMX Using the tabs located on each side of the RGB Linear Power Supply DMX, secure it to the mounting bracket using the provided screw and cage-nut as shown in **Diagram 4**.

Step 3: Make the wiring connections per the Electrical Connections Section.

Diagram 1 Stud Mount Holes

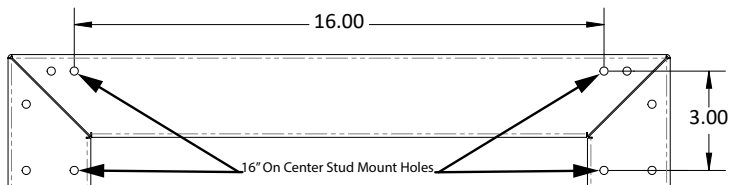


Diagram 2 Drywall Mount Holes

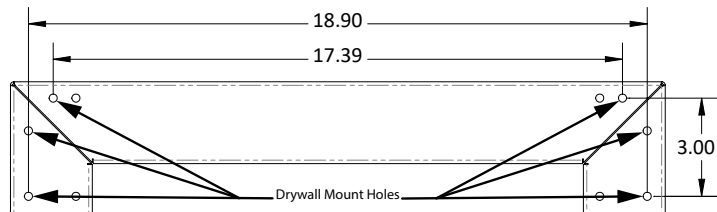


Diagram 3 MZPS Lighting Controller Installation

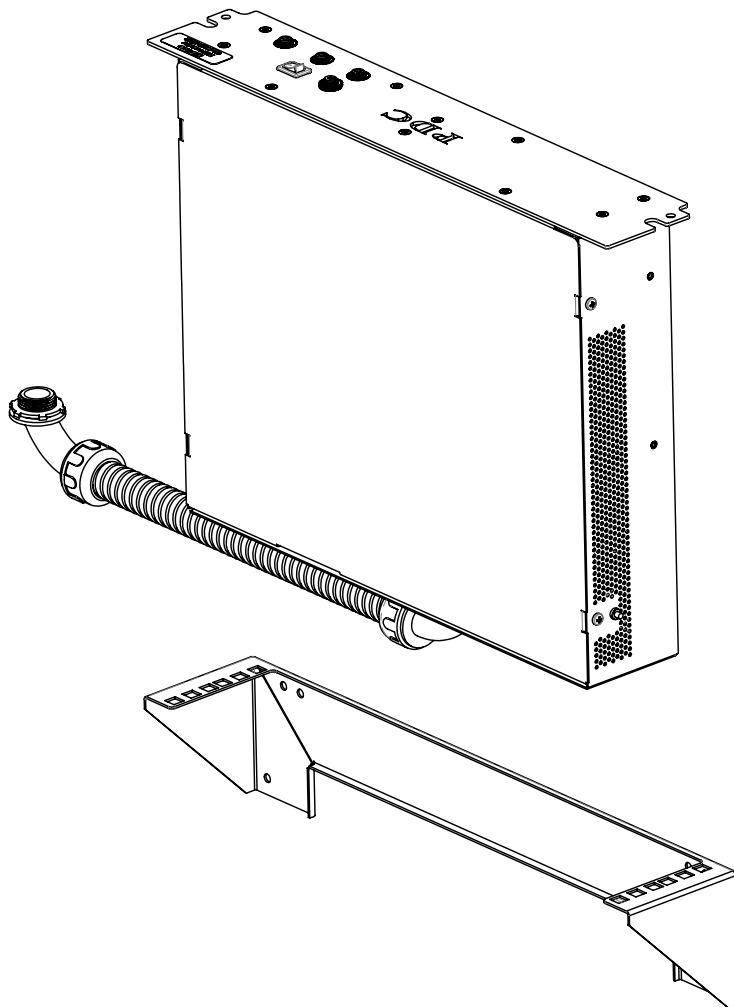
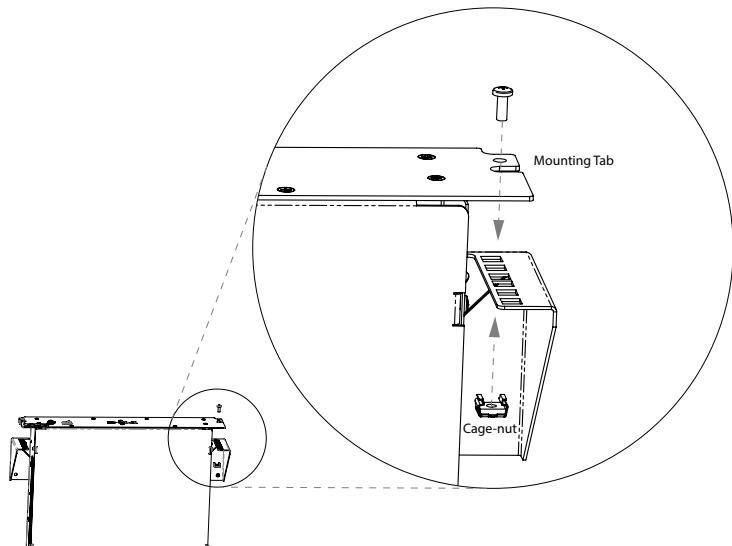


Diagram 4 Secure the RGB Linear Power Supply DMX

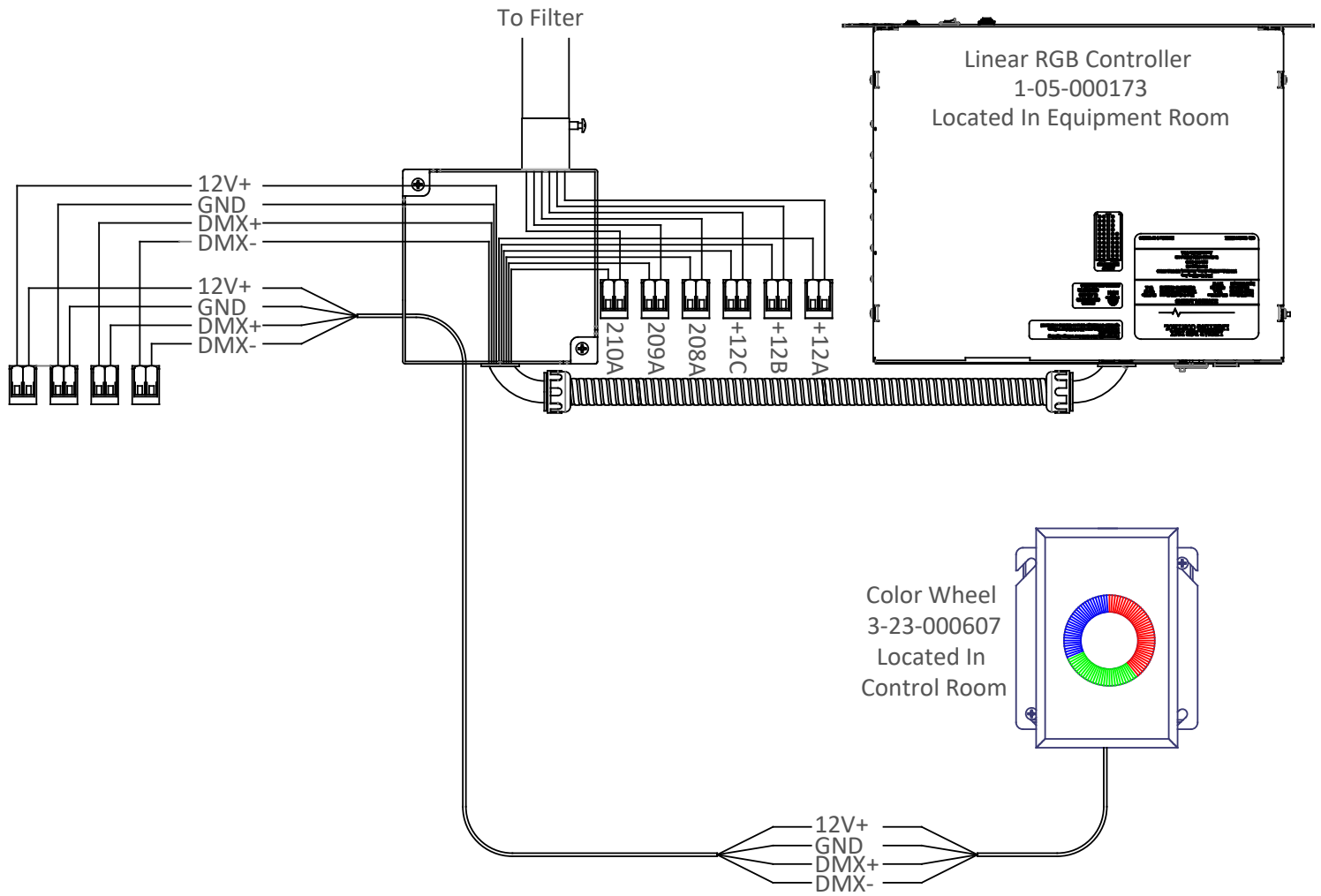


Electrical Connections:

Step 1:
Make the following electrical connections as shown in **Diagram 5**.

Step 2:
Turn on the power supply.

Diagram 5 Electrical Connections



Directive 2012/19/EU (WEEE - Waste Electrical and Electronic Equipment): Information for Users

This product complies with EU Directive 2012/19/EU. The crossed out wheeled bin symbol on the article means that at the end of its useful lifespan, this product must not be disposed of with your other household or municipal waste. This product has required the extraction and use of natural resources for its production. It may contain hazardous substances that could impact health and the environment if not properly disposed. In order to avoid dissemination of those substances in our environment and to diminish the pressure on the natural resources, the user is responsible for delivering the appliance to an appropriate collection facility at the end of its useful lifespan. The separate collection and recycling of your waste equipment at the time of disposal will help conserve natural resources and ensure that it is recycled in a manner that protects human health and the environment. For more information on available collection facilities contact your local waste collection service or the place of purchase.