

Solar Series - MRI

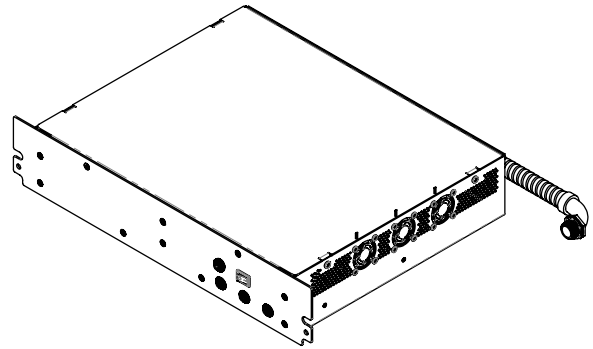
RGB Linear Power Supply



Lighting Solutions

Product Description

The RGB Linear Power Supply[†] is a constant current RGB LED driver designed specifically for MRI Suites but can be used for general lighting application. This compact 2 rack unit (2U) power supply can be integrated into An Amico A/V and lighting system or as a stand-alone RGB LED light driver controlled with our proprietary software. Output color and brightness control are fully analog. All drive circuitry employs linear regulation and no pulse width modulation (PWM*).



Mechanical				
	Minimum	Typical	Maximum	Units
Overall	19	3.5	13.625	inches
Enclosure	2U Rack Mounted Unit			-
Construction	Powder Coated Steel / Aluminum			-
Product Weight	15			lbs

Electrical Input				
	Minimum	Typical	Maximum	Units
Input Voltage	105	-	265	Vac
Input Current	-	-	7.8	A
Input Power	-	-	817	W
BTU	-	-	1068	BTU/hr
Input Frequency	47	-	63	Hz
Power Factor at 120Vac Input	0.95	-	-	-
Power Factor at 230Vac Input	0.90	-	-	-
Inrush Current at 120Vac Input	20	-	-	A
Inrush Current at 230Vac Input	40	-	-	A

Electrical Output Source per Channel (Maximum 3 Channels)				
	Minimum	Typical	Maximum	Units
Output Voltage	10	12	13.5	Vdc
Output Current (Constant Current)	-	-	14	A
Output Power	-	-	168	W
Ripple Current	-	-	10	%
Outrush Current	-	-	1.8	A
Input/Output Efficiency	82	-	-	%
Open Circuit Output Voltage	-	-	15.5	Vdc

Compliance				
	Minimum	Typical	Maximum	Units
Regulatory Safety	-	Listed	-	UL 2108 CSA 22.2#9.0
CE	-	Pending	-	-
RoHS	-	Pending	-	2011/65/EU

Environmental				
	Minimum	Typical	Maximum	Units
Operating Temperature	0	25	40	C
Humidity	20	-	80	%
Warranty	3	-	-	Years

Ordering Information

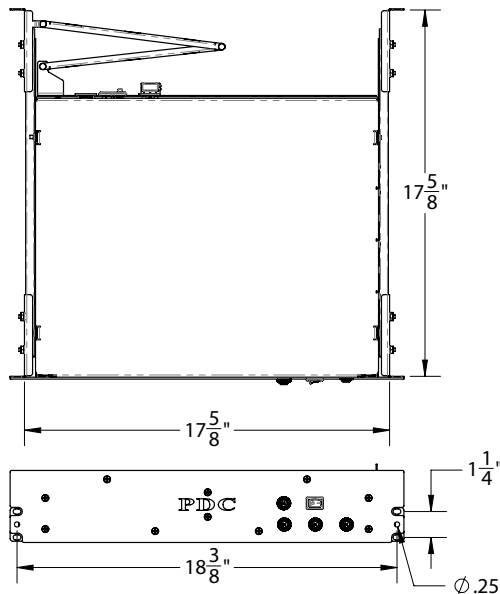
Part Number	CCT
1-05-000001 - Wall	
1-05-000004 - Rack	

Installation Notes

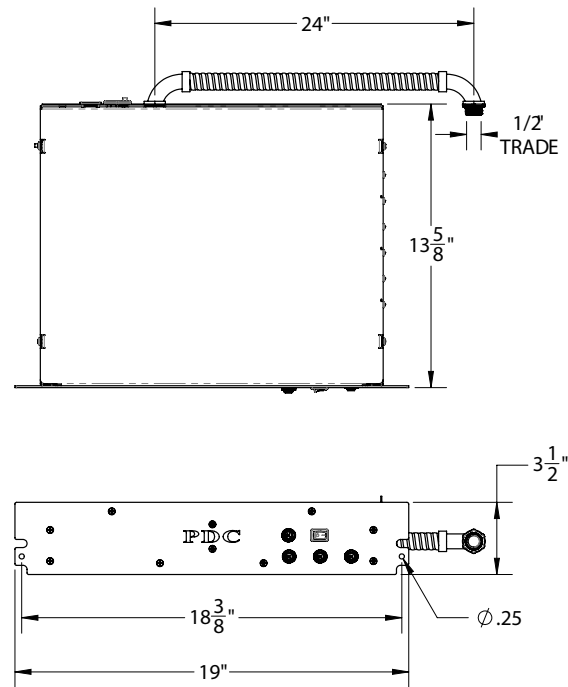
An Amico RF Filter is required for proper operation in the MRI suite
 *PWM is known to cause image artifacts, audible noise and light flicker

Mechanical Dimensions*

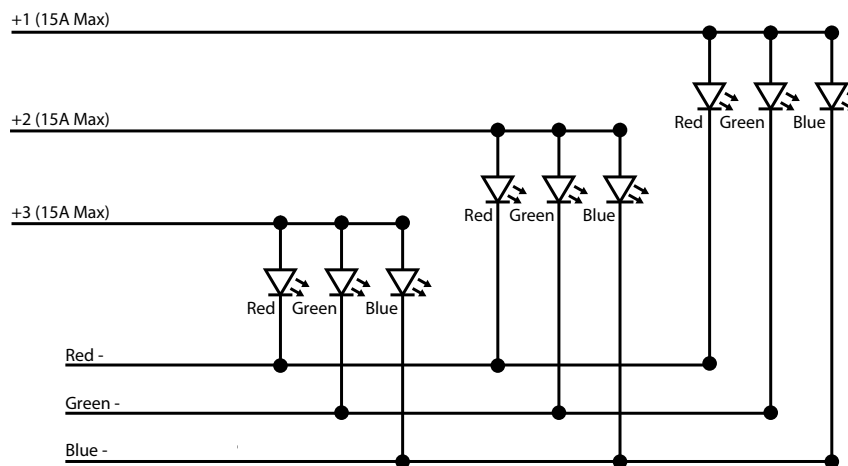
1-05-000004 - Rack Mount



1-05-000001 - Wall Mount



Wiring Diagram



*For informational purposes only. Content subject to change.