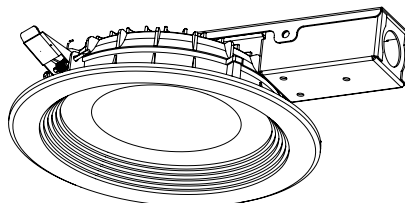


Product Description

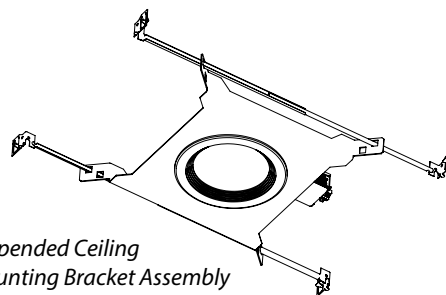
The LP6 light fixture is designed for MRI suite applications and has a non-ferrous assembly which can be mounted within the MRI room. The LP6 is supplied with a junction box and requires no additional housing or can for low-profile recessed applications. It can be mounted directly into a dry wall ceiling or a suspended ceiling grid using the optional Suspended Ceiling Mounting Bracket Assembly. Contains no on-board electronics therefore will not interfere with MRI imaging. Certified to meet MRI vendor EMI requirements. MRI applications require EMI free emissions for specific frequency bands. All drive circuitry employs linear regulation and no pulse width modulation (PWM*).

Performance Summary

- Initial Delivered Lumens: 1800 lm
- Input Power: 19 watts
- CCT: 3500K
- Limited Warranty: 3 years
- Lifetime: Designed to last 50,000 hours
- Dimming: Linear



LP6 Low Profile 6" Downlight



Suspended Ceiling Mounting Bracket Assembly

Mechanical				
	Minimum	Typical	Maximum	Units
Package	-	Self-Contained	-	ANSI Std.
Electrical Connection	-	Junction Box	-	ANSI Std.
Fixture Weight	-	1.1	-	lbs

Electrical				
	Minimum	Typical	Maximum	Units
Input Voltage	-	24	-	Vdc
Input Current	-	790	-	mA
Input Power	-	19	-	W
BTU	-	65	-	BTU/hr

Compliance				
	Minimum	Typical	Maximum	Units
IP	-	20	-	Dry Location
Regulatory	-	Listed	-	UL 2108 CSA 22.2#250.0
RoHS	-	Pending	-	2011/65/EU

Environmental				
	Minimum	Typical	Maximum	Units
Storage Temperature	-40	25	85	C
Operating Temperature	-20	25	35	C
Humidity	5	-	95	%
Lifespan	50000	-	-	Hours
Warranty	3	-	-	Years

Installation				
	Minimum	Typical	Maximum	Units
Ceiling Thickness	-	-	0.625	inches
Ceiling Cut-out	-	-	6.5	inches

Installation Notes

An Amico RF Filter is required for proper operation in the MRI suite
 An Amico Power Supply is required for proper operation in the MRI suite
 *PWM is known to cause image artifacts, audible noise and light flicker

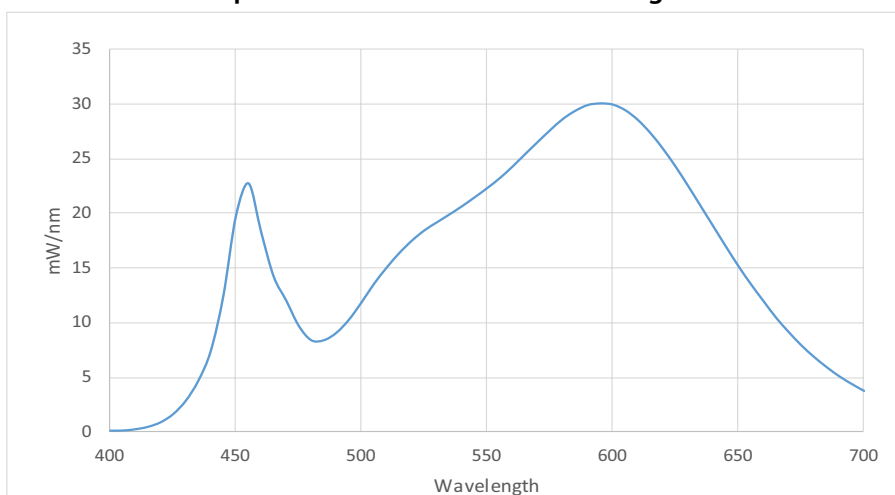
Ordering Information

Part Number	CCT	Description	Ratings
1-07-000005 - Ethernet Wiring Assembly	3500K	LP6 Low Profile 6" Downlight	Class 2 as per UL 1310
1-07-000006 - 24Vdc Wiring Assembly	3500K	LP6 Low Profile 6" Downlight	Class 1 as per UL 2108
1-07-000132 - Ethernet Wiring Assembly	3500K	Suspended Ceiling Mounting Bracket Assembly	Class 2 as per UL 1310
1-07-000133 - 24Vdc Wiring Assembly	3500K	Suspended Ceiling Mounting Bracket Assembly	Class 1 as per UL 2108

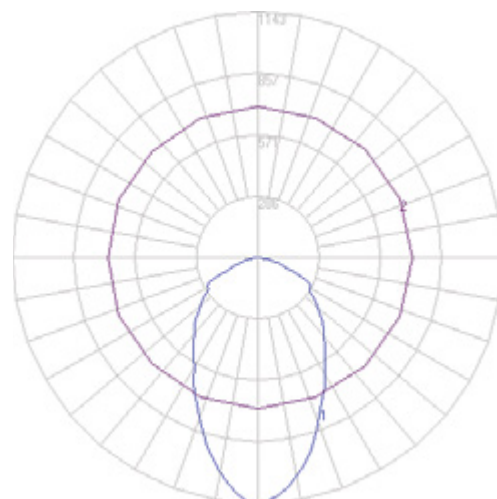
Photometric Data and IES Distribution

	Minimum	Typical	Maximum	Units
Luminous Flux	-	1800	-	lm
CCT	-	3500	-	k
CRI	90	-	-	
Chromaticity (u')	-	0.232	-	
Chromaticity (v')	-	0.514	-	
Efficacy	-	94.73	-	lm/W

Spectral Data Over Visible Wavelength



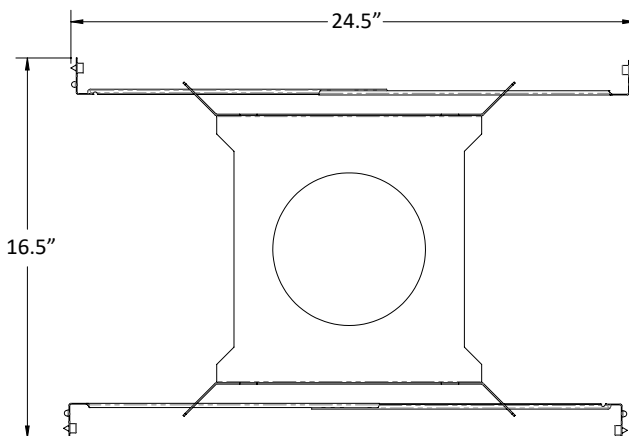
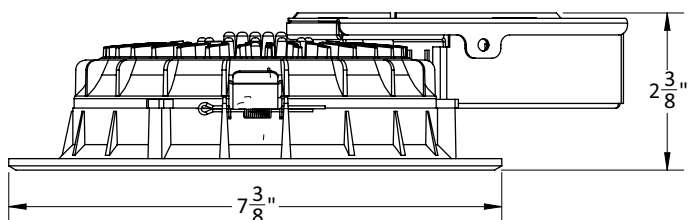
Polar Point



Mounting Option - Suspended Ceiling Mounting Bracket Assembly*

The LP6 can be installed in a suspended ceiling grid using the optional Suspended Ceiling Mounting Bracket Assembly. Ensure the existing grid is capable of supporting the weight of the luminaire.

- Easy and versatile installation.
- Can be installed directly to an existing Suspended Ceiling Grid.
- Requires minimal tools and construction making it a quick and easy install in the MRI room.



*For informational purposes only. Content subject to change.