

## Important Safety Instructions

When using electrical equipment, basic safety precautions should always be followed including the following:

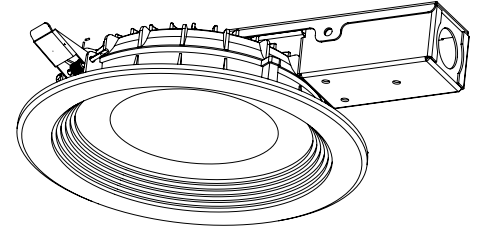
### Read And Follow All Safety Instructions

1. **Warning:** This luminaire must be installed in accordance with the NEC or your local electrical code. If you are not familiar with these codes and requirements, consult a qualified electrician. *Attention: Ce luminaire doit être installé conformément au NEC ou à votre code électrique local. Si vous n'êtes pas familier avec ces codes et exigences, consultez un électricien qualifié.*
2. **Warning:** This equipment is not for use in hazardous combustible atmospheres as defined by the National Electrical Code. *Avertissement: Cet équipement ne doit pas être utilisé dans des atmosphères combustibles dangereuses telles que définies par le National Electrical Code.*
3. **Danger:** Risk of shock - Disconnect power before installation. *Danger: Risque de choc – Couper l'alimentation avant l'installation.*
4. This device is not intended for use with emergency exits. *Cet appareil n'est pas conçu pour être utilisé avec des issues de secours*
5. Use only with Class 2 power unit. *Utiliser uniquement avec une unité d'alimentation de classe 2.*

### Save These Instructions For Future Reference

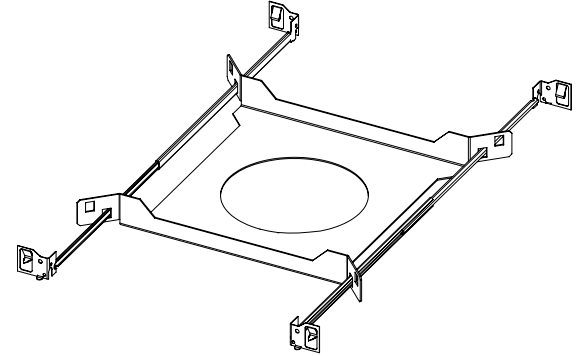
#### LP6 Low Profile Recessed Luminaire

- |                                   |                                |
|-----------------------------------|--------------------------------|
| 1-07-000005 - 35K Ethernet Wiring | 1-07-000006 - 35K 24Vdc Wiring |
| 1-07-000039 - 40K Ethernet Wiring | 1-07-000037 - 40K 24Vdc Wiring |



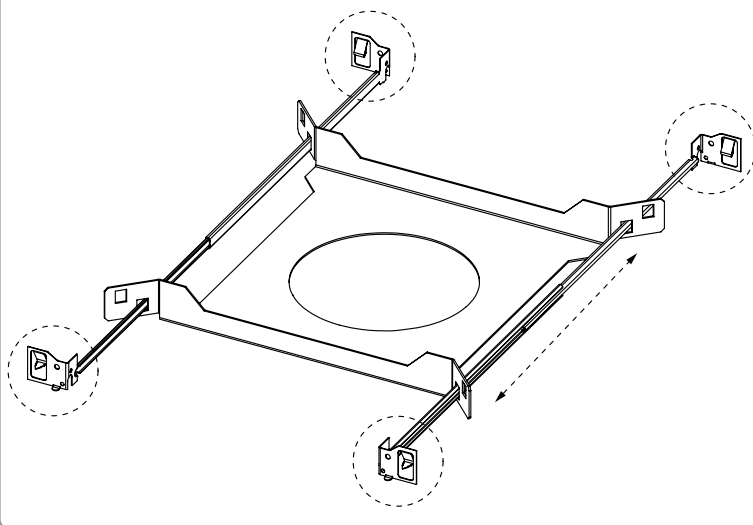
#### LP6 with Suspended Ceiling Mounting Bracket

- |                                   |                                |
|-----------------------------------|--------------------------------|
| 1-07-000132 - 35K Ethernet Wiring | 1-07-000133 - 35K 24Vdc Wiring |
| 1-07-000134 - 40K Ethernet Wiring | 1-07-000135 - 40K 24Vdc Wiring |



## Installation:

Diagram 1



### Recessed Installation - Suspended Ceiling

#### Step 1:

Turn off the power supply and remove the ceiling tile.

#### Step 2:

Extend bar hangers to fit between the T-Grid and snap/screw into place. See **Diagram 1**.

#### Step 3:

To secure the luminaire mounting frame, position on bar hangers so they rest on top on the T-Grid. See **Diagram 1**.

#### Step 4:

Locate the center of the proposed opening in the ceiling tile and mark the intended location of the luminaire. Cut appropriate 6 1/2" diameter opening in the ceiling tile.

#### Step 5:

Place ceiling tile in T-bar grid.

#### Step 6:

Wire the luminaire per the **Electrical Connections** section.

Diagram 2

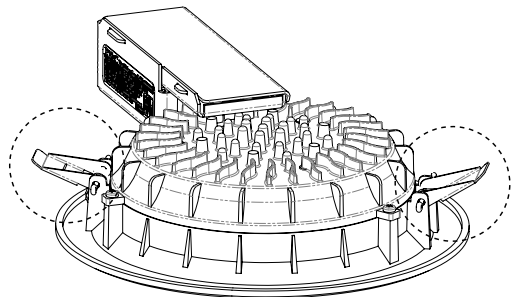
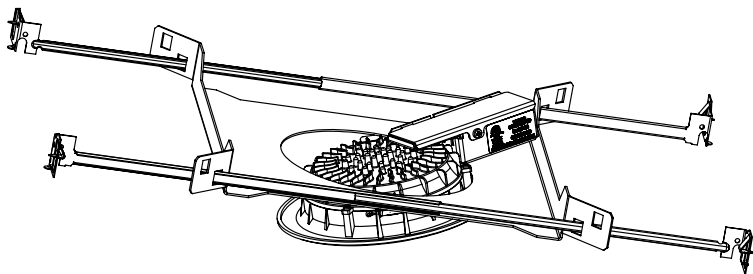


Diagram 3



**Step 7:**

Bend the squeeze tabs located in Diagram 2 in to the up position and slide the luminaire through the opening at an angle. Release the squeeze tabs and snap into place. See **Diagram 3**.

**Recessed Installation - Drywall Ceiling**

**Step 1:**

Turn off the power supply.

**Note:** The Suspended Ceiling Mounting Bracket is not used for drywall installations.

**Step 2:**

Locate the proposed opening in the ceiling and mark the intended location of the luminaire. Cut appropriate 6 1/2" diameter opening and install the drywall.

**Step 3:**

Wire luminaire per **Electrical Connections** section.

**Step 4:**

Bend the squeeze tabs located in **Diagram 2** in to the up position and slide the luminaire through the opening at an angle. Release the squeeze tabs and snap into place. See **Diagram 3**.

**Electrical Connections**

**Step 1:**

Remove the Junction Box cover.

**Step 2:**

Using customer supplied 90°C minimum rated wire connectors, terminate the minimum 12 AWG supply wiring within the Junction Box.

**Step 3:**

Make the following Electrical Connections.

**DC WHITE LIGHT WIRING - 1-07-000006 and 1-07-000037**

1. Connect + 24 Vdc supply lead to the Red Positive lead.
2. Connect - 24 Vdc supply lead to the Black negative lead.

**ETHERNET WIRING - 1-07-000005 and 1-07-000039**

1. Connect the CAT5, CAT5E or CAT6 Ethernet Cable from the 12/16 Channel Driver to the "In" port in the junction box.
2. Connect the CAT5, CAT5E or CAT6 Ethernet Cable from the "Out" port of the first luminaire to the "In" port of the next Ethernet luminaire.
3. All wires must be terminated to Standard T568B on both ends.
4. Four (4) luminaires maximum per CAT output from 12/16 Channel Driver / Power Supply.

Diagram 4 - Electrical Connections - 1-07-000006 and 1-07-000037

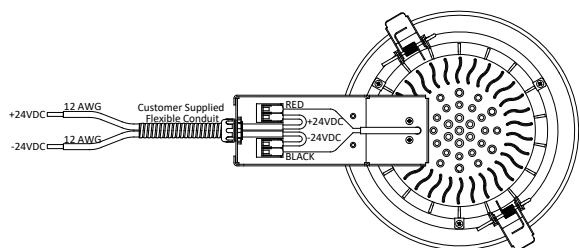
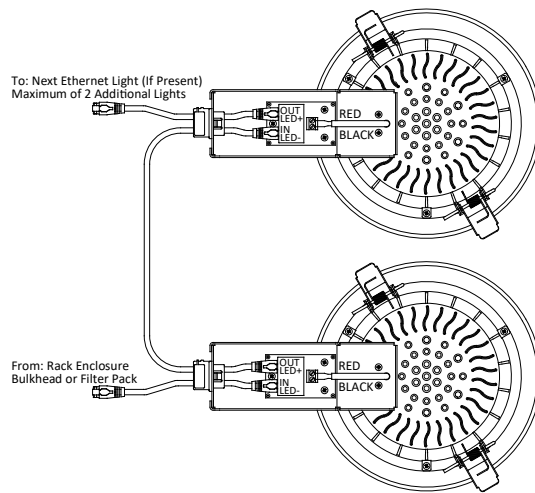


Diagram 5 - Electrical Connections - 1-07-000005 and 1-07-000039



**Directive 2012/19/EU (WEEE - Waste Electrical and Electronic Equipment): Information for Users**

This product complies with EU Directive 2012/19/EU. The crossed out wheeled bin symbol on the article means that at the end of its useful lifespan, this product must not be disposed of with your other household or municipal waste. This product has required the extraction and use of natural resources for its production. It may contain hazardous substances that could impact health and the environment if not properly disposed. In order to avoid dissemination of those substances in our environment and to diminish the pressure on the natural resources, the user is responsible for delivering the appliance to an appropriate collection facility at the end of its useful lifespan. The separate collection and recycling of your waste equipment at the time of disposal will help conserve natural resources and ensure that it is recycled in a manner that protects human health and the environment. For more information on available collection facilities contact your local waste collection service or the place of purchase.