

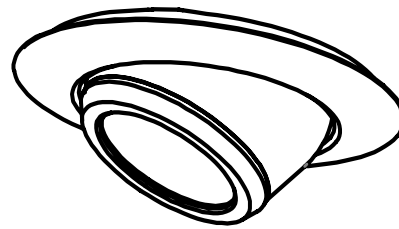
# LPD - Low Profile Directional Recessed 6" LED Downlight 3500K MRI Compatible

## Product Description

A non-ferrous, direct current (DC) adjustable LED Lamp specifically designed to provide increased directional lighting for procedures on the MRI Table. Contains no on-board electronics therefore will not interfere with MRI imaging. Certified to meet MRI vendor EMI requirements. MRI applications require EMI free emissions for specific frequency bands. All drive circuitry employs linear regulation and no pulse width modulation (PWM\*).

## Performance Summary

- Initial Delivered Lumens: 1350 lm
- Input Power: 12 watts
- CCT: 3500K
- Limited Warranty: 3 years
- Lifetime: Designed to last 50,000 hours
- Dimming: Linear
- Angle of Adjustment: 40 degrees



Mechanical				
	Minimum	Typical	Maximum	Units
Package	-	6" Can	-	-
Electrical Connection	-	Flying Leads / Ethernet Wiring	-	-
Fixture Weight	-	3.0	-	lbs

Electrical				
	Minimum	Typical	Maximum	Units
Input Voltage	-	36	-	VDC
Input Current	-	350	-	mA
Input Power	-	12	-	W
BTU	-	41	-	BTU/hr

Compliance				
	Minimum	Typical	Maximum	Units
IP	-	20	-	Dry Location
Regulatory	-	Listed	-	UL 2108   CSA 22.2#250.0
RoHS	-	Pending	-	2011/65/EU

Environmental				
	Minimum	Typical	Maximum	Units
Storage Temperature	-40	25	85	C
Operating Temperature	-20	25	35	C
Humidity	5	-	95	%
Lifespan	50000	-	-	Hours
Warranty	3	-	-	Years

Installation Notes				
An Amico RF Filter is required for proper operation in the MRI suite				
An Amico Power Supply is required for proper operation in the MRI suite				
*PWM is known to cause image artifacts, audible noise and light flicker				

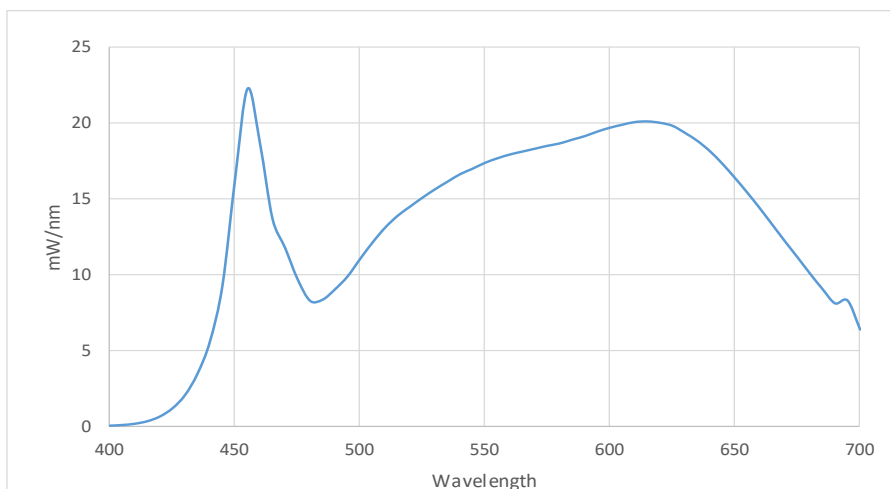
## Ordering Information

Part Number	CCT	Description	Ratings
1-07-000105 - Ethernet Wiring	3500K	LPD - Low Profile Directional Recessed 6" LED Downlight	Class 2 as per UL 1310
1-07-000106 - DC Wiring	3500K	LPD - Low Profile Directional Recessed 6" LED Downlight	Class 1 as per UL 2108

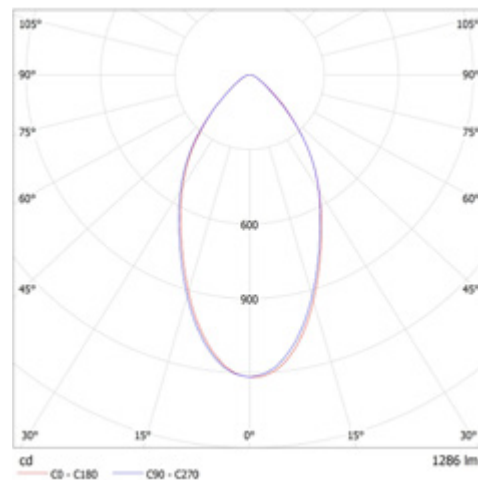
## Photometric Data and IES Distribution

	Minimum	Typical	Maximum	Units
Luminous Flux	-	1347	-	lm
CCT	-	3500	3883	k
CRI	90	-	-	-
Chromaticity (u')	-	0.226	-	-
Chromaticity (v')	-	0.506	-	-
Efficacy	-	98.32	-	lm/W

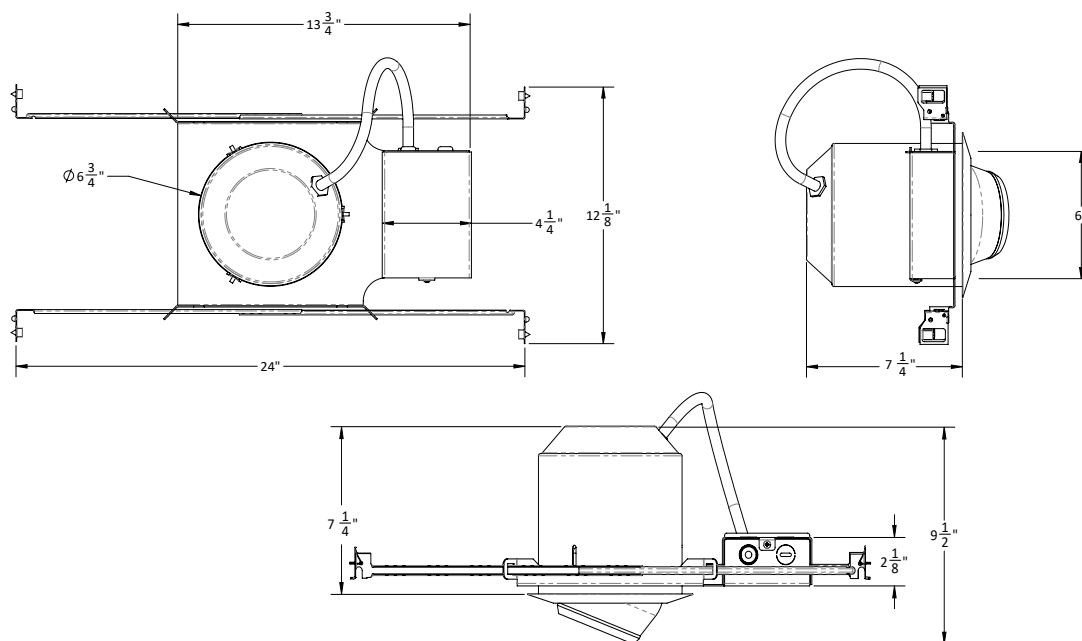
### Spectral Data Over Visible Wavelength



### Polar Point



## Mechanical Dimensions\*



\*For informational purposes only. Content subject to change.

Amico Lights Corporation | 122-B East Beaver Creek Road, Richmond Hill, ON L4B 1G6, Canada | www.amico.com  
Toll Free Tel: 1.877.462.6426 | Toll Free Fax: 1.866.440.4986 | Tel: 905.764.0800 | Fax: 905.764.0862

ALT-SP-MRI-LPD-DOWNLIGHT-RECESSED-3500K 09.29.2023

