

Solar Series - MRI

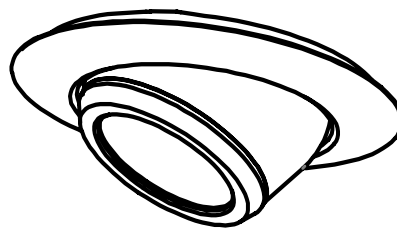
LPD - Low Profile Directional Recessed 6" LED Downlight 4000K MRI Compatible

Product Description

The LPD - Low Profile Directional Recessed LED Luminaire is a non-ferrous, direct current (DC) adjustable LED Lamp specifically designed to provide increased directional lighting for procedures on the MRI Table. Contains no on-board electronics therefore will not interfere with MRI imaging. Certified to meet MRI vendor EMI requirements. MRI applications require EMI free emissions for specific frequency bands. All drive circuitry employs linear regulation and no pulse width modulation (PWM*).

Performance Summary

- Initial Delivered Lumens: 1650 lm
- Input Power: 12 watts
- CCT: 4000K
- Limited Warranty: 3 years
- Lifetime: Designed to last 50,000 hours
- Dimming: Linear
- Angle of Adjustment: 40 degrees



Mechanical

	Minimum	Typical	Maximum	Units
Package	-	6" Can	-	-
Electrical Connection	-	Flying Leads / Ethernet Wiring	-	-
Fixture Weight	-	3.0	-	lbs

Electrical

	Minimum	Typical	Maximum	Units
Input Voltage	-	36	-	VDC
Input Current	-	350	-	mA
Input Power	-	12	-	W
BTU	-	41	-	BTU/hr

Compliance

	Minimum	Typical	Maximum	Units
IP	20	25	-	Dry Location
ETL/UL	-	Enclosure Rated	-	UL 8750/2108
RoHS	-	Pending	-	2011/65/EU

Environmental

	Minimum	Typical	Maximum	Units
Storage Temperature	-40	25	85	C
Operating Temperature	-20	25	35	C
Humidity	5	-	95	%
Lifespan	50000	-	-	Hours
Warranty	3	-	-	Years

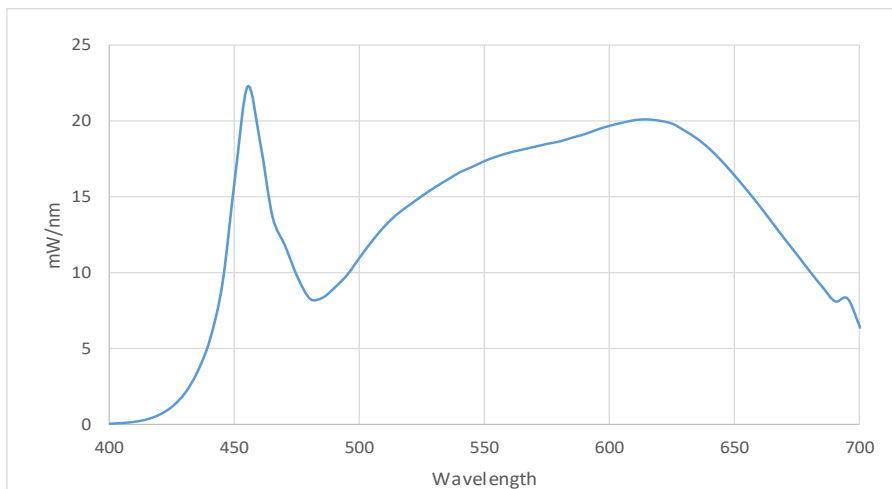
Installation Notes

- An Amico RF Filter is required for proper operation in the MRI suite
- An Amico Power Supply is required for proper operation in the MRI suite
- *PWM is known to cause image artifacts, audible noise and light flicker

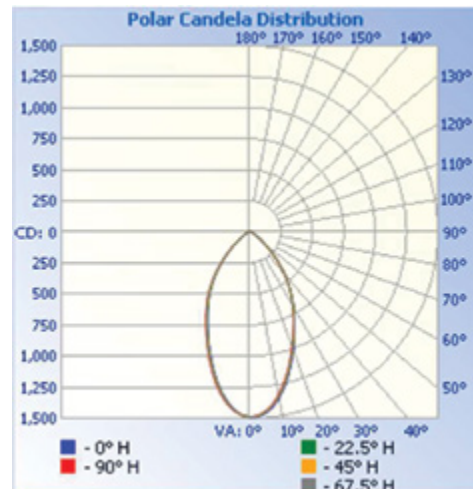
Ordering Information			
Part Number	CCT	Description	Ratings
1-07-000035 - Ethernet Wiring	4000K	LPD - Low Profile Directional Recessed 6" LED Downlight	Class 2 as per UL 1310
1-07-000027 - DC Wiring	4000K	LPD - Low Profile Directional Recessed 6" LED Downlight	Class 1 as per UL 2108

Photometric Data and IES Distribution				
	Minimum	Typical	Maximum	Units
Luminous Flux	-	1659	-	lm
CCT	-	3900	4000	k
CRI	90	-	-	-
Chromaticity (u')	-	0.226	-	-
Chromaticity (v')	-	0.506	-	-
Efficacy	-	95.79	-	lm/W

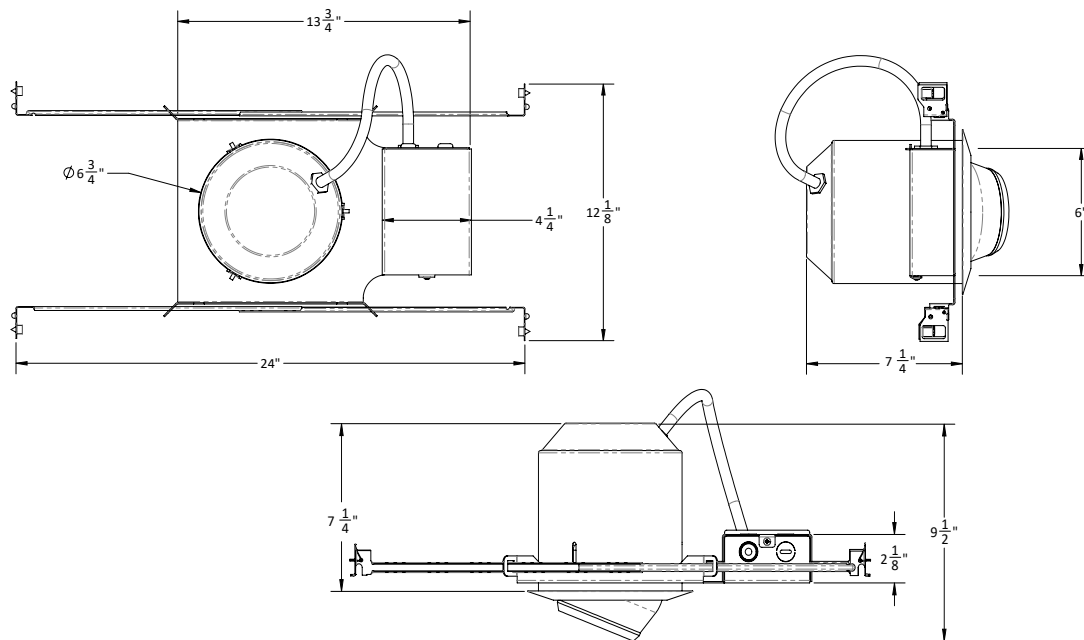
Spectral Data Over Visible Wavelength



Polar Point



Mechanical Dimensions*



*For informational purposes only. Content subject to change.