

## Important Safety Instructions

When using electrical equipment, basic safety precautions should always be followed including the following:

### Read And Follow All Safety Instructions

1. **Warning:** This luminaire must be installed in accordance with the NEC or your local electrical code. If you are not familiar with these codes and requirements, consult a qualified electrician. *Attention: Ce luminaire doit être installé conformément au NEC ou à votre code électrique local. Si vous n'êtes pas familier avec ces codes et exigences, consultez un électricien qualifié.*
2. **Warning:** This equipment is not for use in hazardous combustible atmospheres as defined by the National Electrical Code. *Avertissement: Cet équipement ne doit pas être utilisé dans des atmosphères combustibles dangereuses telles que définies par le National Electrical Code.*
3. **Danger:** Risk of shock - Disconnect power before installation. *Danger: Risque de choc – Couper l'alimentation avant l'installation.*
4. This device is not intended for use with emergency exits. *Ne convient pas aux sorties de secours.*
5. Use only with Class 2 power unit. *Utiliser uniquement avec une unité d'alimentation de classe 2.*
6. Type IC. *Type Ic encastré.*
7. Inherently protected. *Protection inhérente.*

### Save These Instructions For Future Reference

#### Installation:

Diagram 1 Mounting Recessed Can

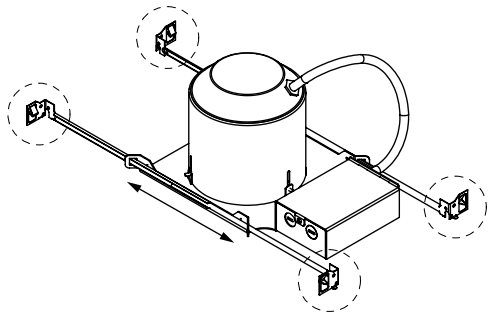
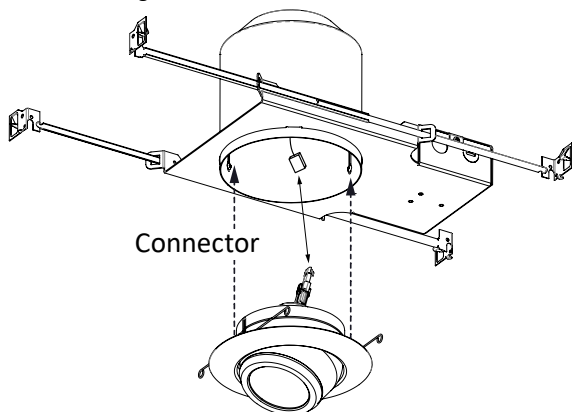
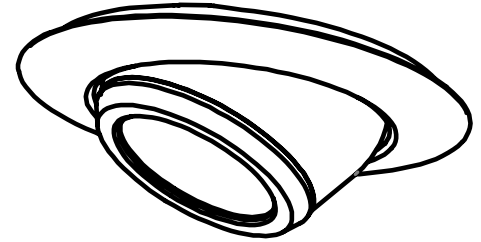


Diagram 2 - Installing Luminaire



LPD Recessed LED Directional Luminaire

1-07-000027 1-07-000035  
1-07-000105 1-07-000106



Light Engine Replacement Part Numbers

5-07-000009 5-07-000017

#### LPD Recessed Can Installation - Suspended Ceiling

**Step 1:**

Turn off the power supply and remove the ceiling tile.

**Step 2:**

Extend bar hangers to fit between the T-Grid and snap/screw into place. See **Diagram 1**.

**Step 3:**

To secure the recessed can position on bar hangers and squeeze tabs to lock in to place. See **Diagram 1**.

**Step 4:**

Wire the luminaire per the **Electrical Connections** section.

**Step 5:**

Locate the center of the proposed opening in the ceiling tile and mark the intended location of the luminaire. Cut appropriate 6 1/2" diameter opening in the ceiling tile.

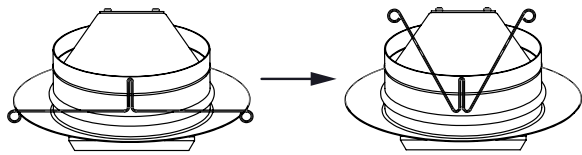
**Step 6:**

Place ceiling tile in T-bar grid.

**Step 7:**

Connect light engine to recessed can housing.

Diagram 3 - Torsion Springs



**Step 8:**

Secure the Quick Connect connector on to the top of the luminaire to the connector inside the recessed can. See **Diagram 2**.

**Step 9:**

Pinch the torsion spring clips into a “V” shape and slide the luminaire into the recessed can securing the clips into the brackets located inside the can. See **Diagram 3**.

**Recessed Can Installation - New Construction (Wood)**

**Step 1:**

Turn off the power supply.

**Step 2:**

Extend bar hangers to fit between joists and secure with appropriate hardware (not provided). Hangers should be level with bottom of joists. See **Diagram 1**.

**Step 3:**

Wire luminaire per **Electrical Connections** section.

**Step 4:**

Position recessed can on hanger bars. To secure fixture position in ceiling, squeeze tabs into hanger bars to lock fixture in place on bars. See **Diagram 1**.

**Step 5:**

Secure the Quick Connect connector on to the top of the luminaire to the connector inside the recessed can. See **Diagram 2**.

**Step 6:**

Pinch the torsion spring clips into a “V” shape and slide the luminaire into the recessed can securing the clips into the brackets located inside the can. See **Diagram 3**.

**Electrical Connections**

**Step 1:**

Using customer supplied conduit, cord or Ethernet cable make the following connections with 90°C minimum rated wire connectors.

**DC Wiring**

1. Connect + 36 VDC supply lead to the Red positive lead
2. Connect - 36 VDC supply lead to the Black negative lead.

**Ethernet Wiring**

1. Connect the CAT5, CAT5E or CAT6 Ethernet Cable from the 12/16 Channel Driver to the “In” port in the Luminaire 1.
2. Connect the CAT5, CAT5E or CAT6 Ethernet Cable from the “Parallel Out” port of Luminaire 1 to the “Parallel In” port of Luminaire 2.
3. All wires must be terminated to Standard T568B on both ends.
4. Two (2) luminaires maximum per single output from 12/16 Channel Driver.

Diagram 4 - Electrical Connections - 1-07-000006 and 1-07-000037

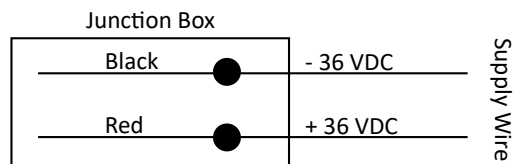
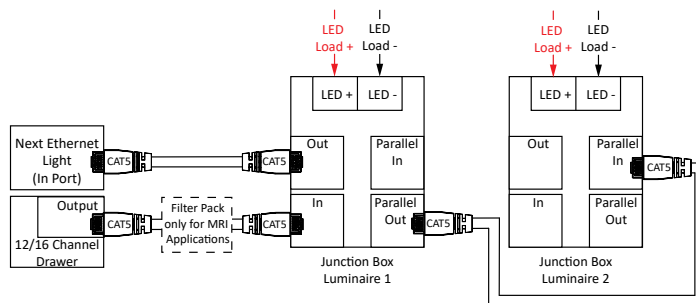


Diagram 5 - Electrical Connections - 1-07-000005 and 1-07-000039



**Directive 2012/19/EU (WEEE - Waste Electrical and Electronic Equipment): Information for Users**

This product complies with EU Directive 2012/19/EU. The crossed out wheeled bin symbol on the article means that at the end of its useful lifespan, this product must not be disposed of with your other household or municipal waste. This product has required the extraction and use of natural resources for its production. It may contain hazardous substances that could impact health and the environment if not properly disposed. In order to avoid dissemination of those substances in our environment and to diminish the pressure on the natural resources, the user is responsible for delivering the appliance to an appropriate collection facility at the end of its useful lifespan. The separate collection and recycling of your waste equipment at the time of disposal will help conserve natural resources and ensure that it is recycled in a manner that protects human health and the environment. For more information on available collection facilities contact your local waste collection service or the place of purchase.