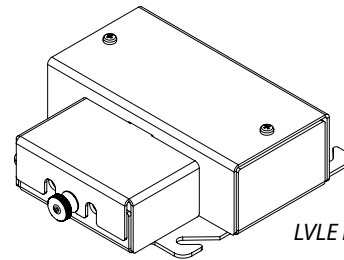
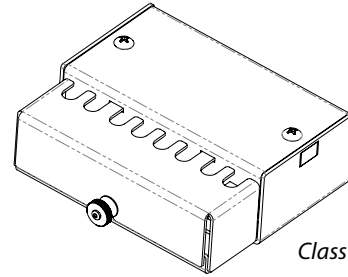


### Product Description

The LVLE and Class 2 Power Supply Outputs are control units for use in conjunction with LED Low Voltage Lighting Systems. It is intended for surface mounting to a Listed outlet box in dry locations. Contains no on-board continuously switching electronics to interfere with MRI imaging. Certified to meet MRI vendor EMI requirements. MRI applications require EMI free emissions for specific frequency bands. All drive circuitry employs linear regulation and no pulse width modulation (PWM\*).



LVLE Power Supply Outputs



Class 2 Power Supply Outputs

### Mechanical

	Minimum	Typical	Maximum	Units
Overall Dimensions	-	4.3 x 4.92 x 1.72	-	inches
Enclosure	-	Aluminum	-	-
Product Weight	-	<5	-	lbs

### Electrical - LVLE

Part Number	Application	Number of Outputs	Input Voltage (Vdc)	Max Input Current (A)	Max Input (W)	Max Output (W)	Frequency (Hz)	Heat (BTU/hr)
1-05-000068	General	4	12	8	104	94	DC	320
1-05-000078	General	4	24	8	197	187	DC	638
1-05-000079	General	4	36	4.3	155	145	DC	494
1-05-000080	General	4	48	3.1	145	135	DC	460
1-05-000151	White Light	8	12	7.0	94	84	DC	286
1-05-000152	White Light	8	24	7.0	178	168	DC	573
1-05-000153	White Light	8	36	4.0	155	145	DC	497
1-05-000154	White Light	8	48	2.8	145	135	DC	460

### Electrical - Class 2

Part Number	Application	Number of Outputs	Input Voltage (Vdc)	Max Input Current (A)	Max Input (W)	Max Output (W)	Frequency (Hz)	Heat (BTU/hr)
1-05-000155	Class 2 RGB	8	12	4.0	58	48	DC	164
1-05-000156	Class 2 RGB	8	24	4.0	106	96	DC	327
1-05-000157	Class 2 White	8	12	4.0	58	48	DC	164
1-05-000158	Class 2 White	8	24	4.0	106	96	DC	327

### Compliance

	Minimum	Typical	Maximum	Units
Regulatory Compliance	-	Recognized	-	UL8750 UL1310 CSA C22.2#250.13
CE	-	Pending	-	-
RoHS	-	Pending	-	2011/65/EU

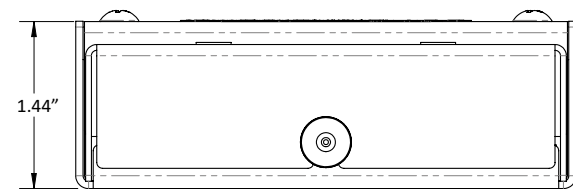
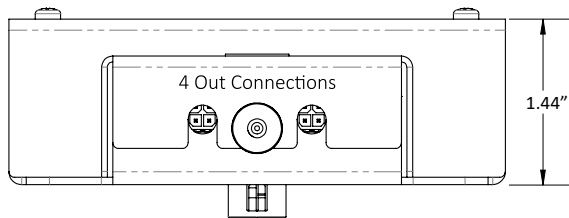
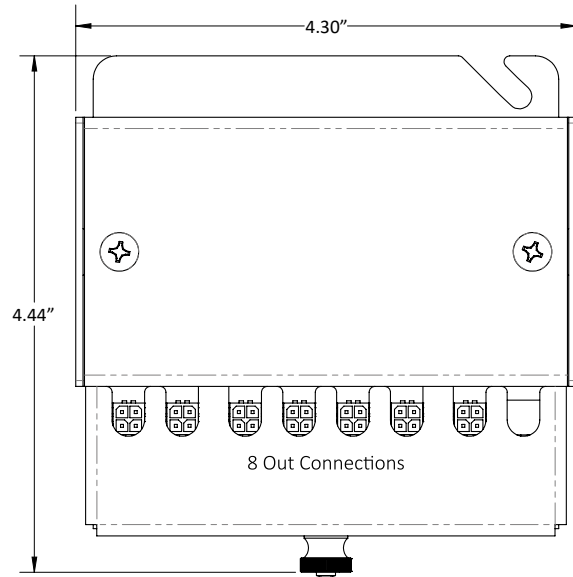
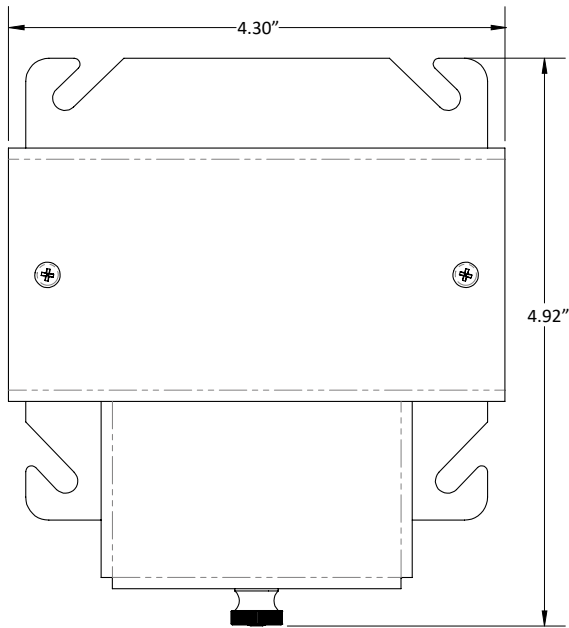
### Environmental

	Minimum	Typical	Maximum	Units
Storage Temperature	-40	25	85	C
Operating Temperature	-20	25	35	C
Humidity	5	-	95	%
Lifespan	50000	-	-	Hours
Warranty	3	-	-	Years

### Installation Notes

- An Amico RF Filter is required for proper operation in the MRI suite
- An Amico Power Supply is required for proper operation in the MRI suite
- \*PWM is known to cause image artifacts, audible noise and light flicker

### Mechanical Dimensions\*



\*For informational purposes only. Content subject to change.