

Plaster Frame Kit KIT22/KIT24

Quick Reference Guide



ELECTRIC SHOCK

- Disconnect or turn off power before installing or servicing luminaire.
- All electrical wiring to be completed by a qualified licensed electrician in accordance with local and National/Canadian Electrical Code.
- Ensure supply voltage corresponds with the correct ballast/driver voltage.
- Avoid exposing wiring to metal edges and sharp objects.
- Ensure that the luminaire is properly grounded to prevent electric hazards.



FIRE

- Keep flammable and combustible materials away from the light source and/or lens.
- Use correctly rated supply conductors as indicated by product labeling.



BURN

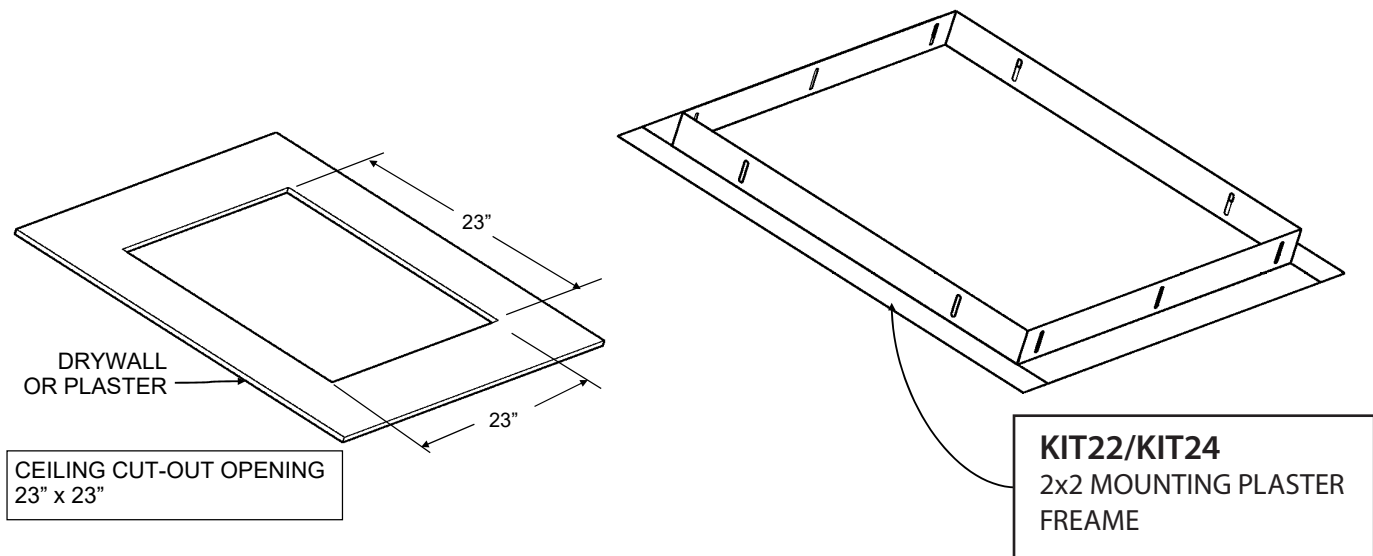
- Allow luminaire to cool before handling luminaire.



PERSONAL INJURY

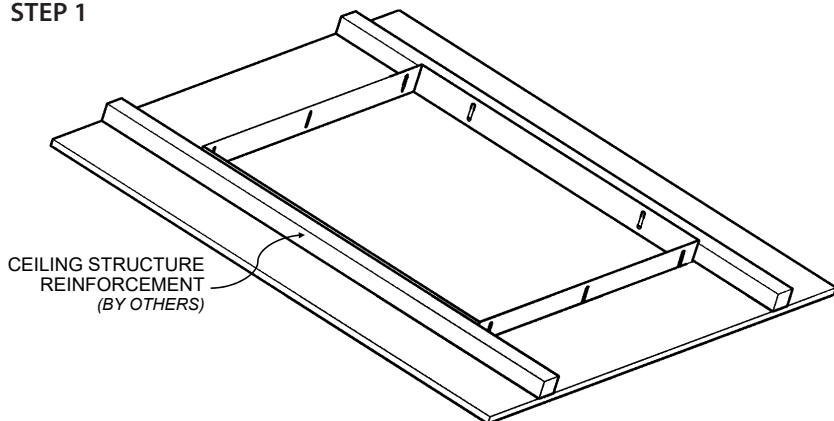
- Wear safety glasses and gloves when handling the luminaire to avoid physical injury.
- Avoid direct eye contact with light source.
- Always support the weight of the luminaire.

KIT22/KIT24 2x2 Mounting Plaster Frame

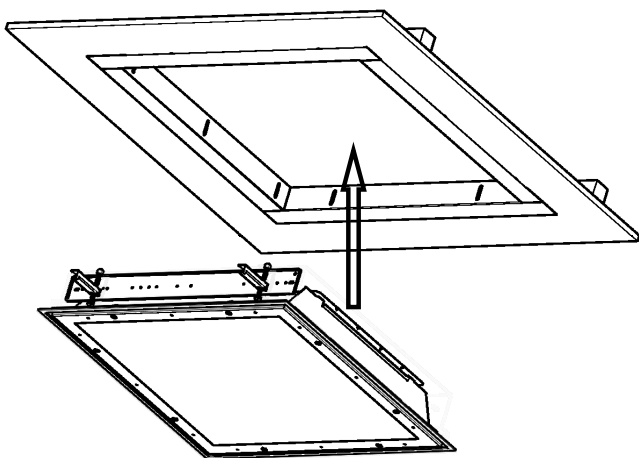


KIT22/KIT24 2x2 Mounting Plaster Frame

STEP 1

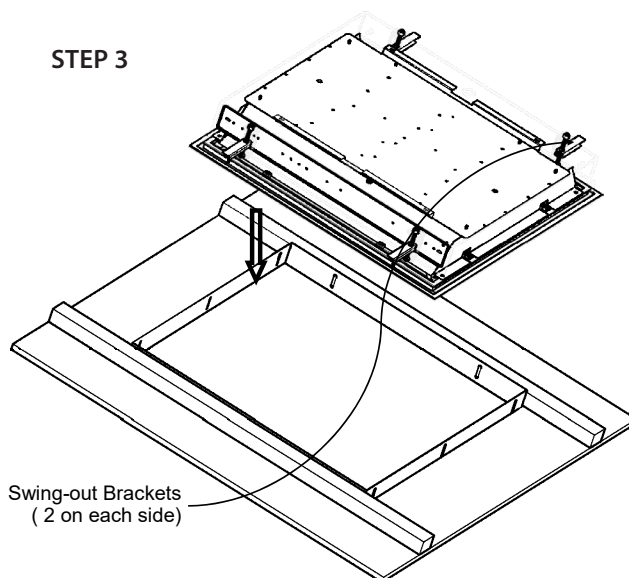


STEP 2



Lift fixture into the plaster frame assembly.

STEP 3



Swing out brackets (2 on each side) to sit secure properly to ceiling structure reinforcement.

INSTALLATION COMPLETE

