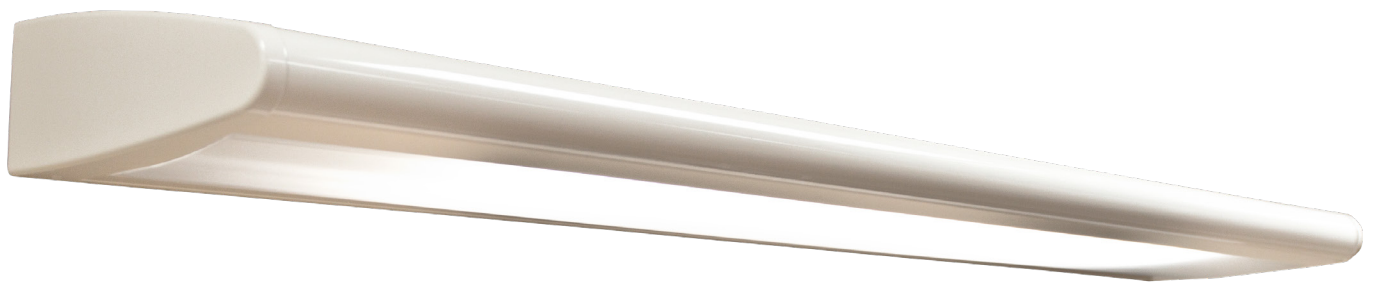


Installation Instructions

Skyline Overbed LED Light



Amico

Contents

Introduction	3
General Information	3
Symbols Used in This Manual	4
Safety Instructions	4
Intended Use	4
Safety Instructions	4
Warning Levels	5
Drawings and Dimensions	6
Included Components/Parts	8
Installing the Skyline Overbed LED Light	9
Wiring Diagram	12
Disinfecting, Cleaning and Sterilization	13
Warranty	14
Notes	15

Introduction

Congratulations and thank you for your purchase of the Amico Skyline Series Overbed LED light.

To ensure proper functionality and performance of the Skyline Light please read the following instructions very carefully before installing the fixture. Keeping safety in mind please follow the safety instructions and requirements included in this document. The installation instructions provided are for Amico's standard products. Slight modifications to the installation may be required for custom configurations and wall conditions.

If you need information for further instructions on operation, maintenance, and/or descriptions of the product please feel free to contact Amico's Customer Service at: alt-customerservice@amico.com

For technical support please contact: alt-techsupport@amico.com

The product shipped to the job site may not be exactly as shown in the installation drawings.

To learn more about Amico's portfolio of healthcare lighting products, visit <https://www.amico.com/lights>

To view our step-by-step installation video, please scan the QR code below.



General Information

WARNING

The installation of the light shall be in accordance with the local building code and the (NEC) National Electrical Code. In Canada, the lights shall be installed according to the (CEC) Canadian Electrical Code requirements.

Failure to install the light in accordance with these requirements may cause injury and equipment damage.

WARNING

Read all the installation instructions before you install the Skyline Overbed LED Light fixture. Failure to do so could cause injury and damaged equipment.

- Read all of the installation instructions before you install the light fixture.
- Make sure all applicable trades persons are available for the installation of the light fixture.

WARNING

Keep weather insulation at least 3" (7.62 cm) from the Skyline Overbed LED Light. Failure to do so could cause injury or damaged equipment.




Electrical Ratings

Read the specified voltage value from the device label. Line voltage:

- 120V AC, 60Hz, 1.1A
- 230V AC, 60Hz, 0.49A
- 277V AC, 60Hz, 0.476A

Symbols Used in This Manual

The warning symbols indicate all instructions that are important for safety. Failure to comply with them can lead to injury, damage to the luminaire or the equipment. In combination with the following signal words the warning symbols means:

 DANGER	Can lead to death or serious injury
 WARNING	Can lead to injury
	ETL certification mark

Trademarks: All trade names mentioned in these instructions are the exclusive property of the relevant manufacturers.
Publication Revision: 06/04/19

Safety Instructions

Intended Use

Inspired by the aerodynamic shape of an Airplane Wing, the Amico Skyline Overbed LED Light offers a sleek and elegant design that meets the needs of both the patient and caregiver. Incorporating the latest in LED technology, the Skyline light is designed to provide high quality illumination while meeting the aesthetic requirements of the patient room.

The Skyline Overbed LED Light is designed with seam-free surfaces and clean edges that eliminate dust traps and make cleaning easy.

Safety Instructions

No modifications can be carried out by the end user. Doing so will void warranty, ETL approval, and may cause severe risks. Serviceable parts must be replaced with factory OEM parts. The user must comply with all building safety codes and disinfection requirements. Fixture must be installed with the reading light (end of fixture) against the wall, directly behind the patient's bed. Angle fixture up into the ceiling opening, setting fixture on ceiling tees.

Safety Instructions

Warning Levels

DANGER

Indication of hazards that can lead to death or serious injury if measures are disregarded.

WARNING

Indication of hazards that can lead to injury if measures are disregarded.

CAUTION

Indication of hazards that can lead to damage to property if measures are disregarded.

EXPLOSION HAZARD

The above is an explosion hazard warning symbol. Non-compliance with this symbol may result in damages or injuries due to explosion.

ELECTRIC SHOCK

The above is an electric shock warning symbol. Non-compliance with this symbol may result in damages or injuries due to electric shock.

DANGER

Mounting by qualified personnel

Mounting must be done by qualified personnel only. Lack of appropriate knowledge could be life-threatening.

DANGER

Life-threatening danger from falling luminaire.

The ceiling must be made of solid concrete to guarantee a secure hold.

DANGER

Electric shocks are life-threatening.

The electrical mains must be isolated from the by an external all-pole switch.

DANGER

Risk of injury from falling parts.

Mounting must be performed by two people.

CAUTION

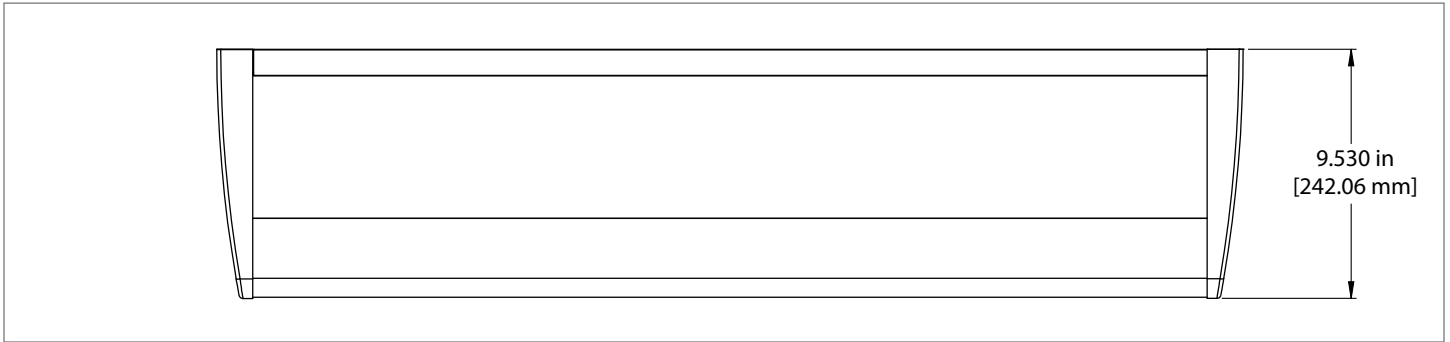
Use protective equipment in line with tool manufacturer's instructions.

DISCLAIMER

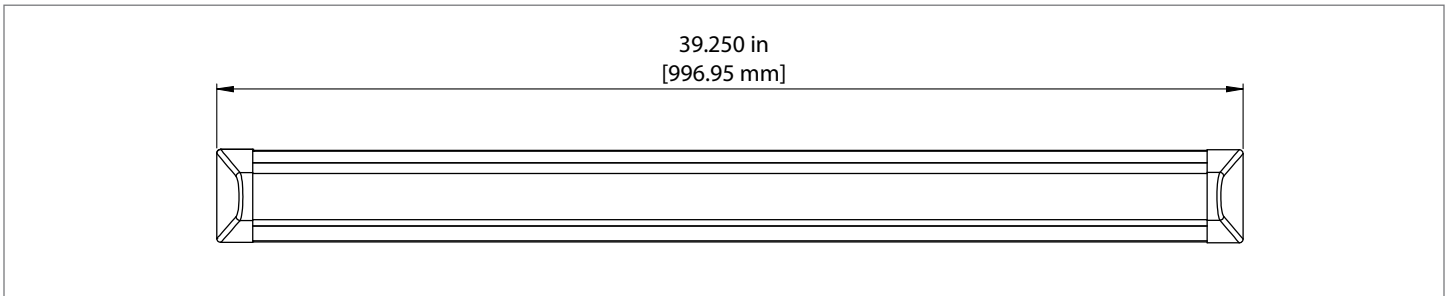
Pictures shown in this document are for illustration purposes only, actual product may differ.

Drawings and Dimensions

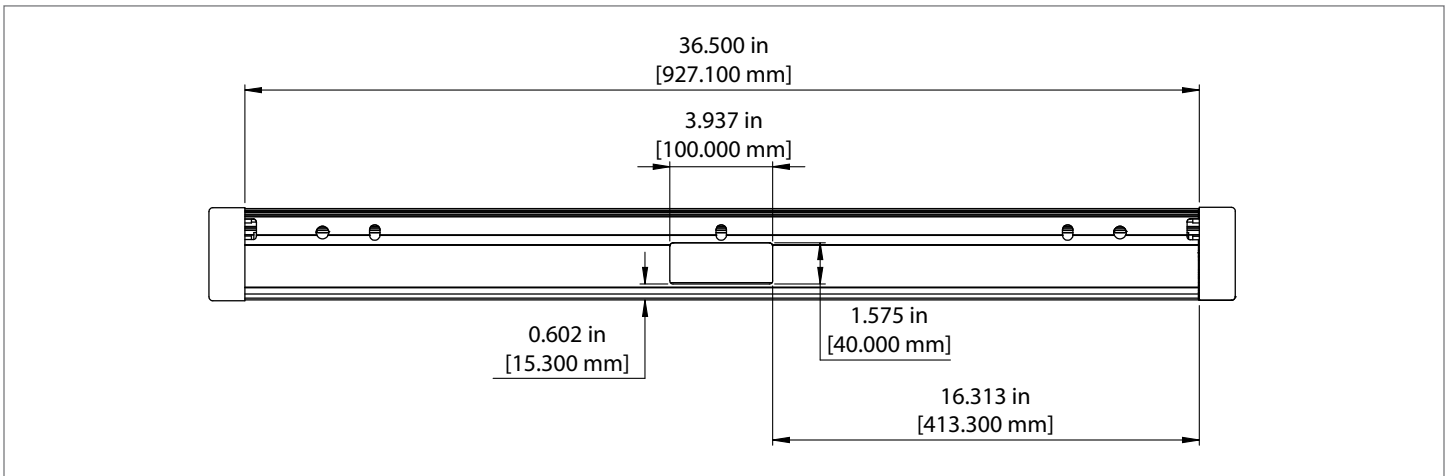
FRONT VIEW - 3 FT SKYLINE



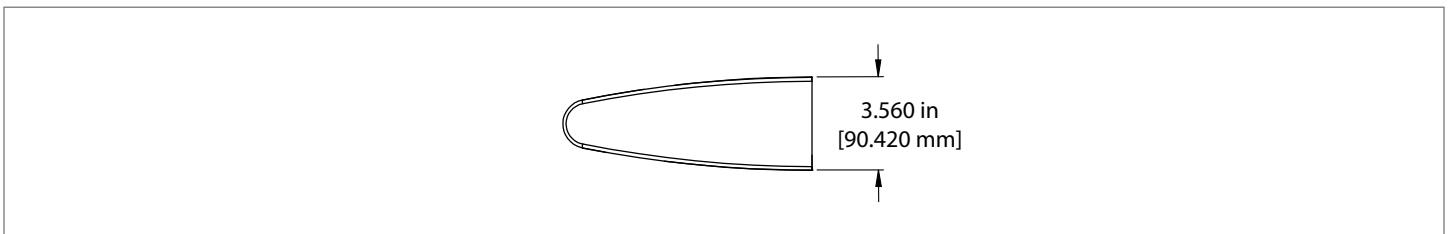
TOP VIEW - 3 FT SKYLINE



BACK VIEW - 3 FT SKYLINE

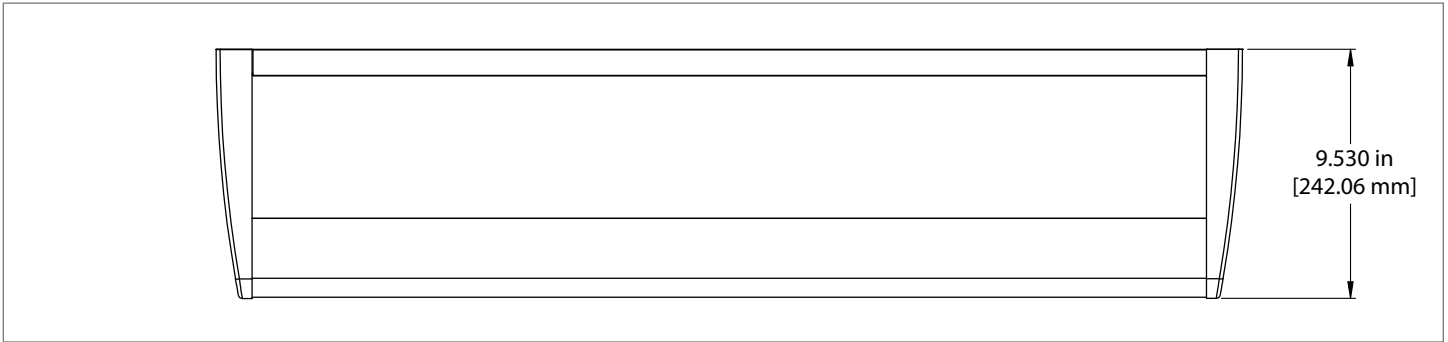


SIDE VIEW - 3 FT SKYLINE

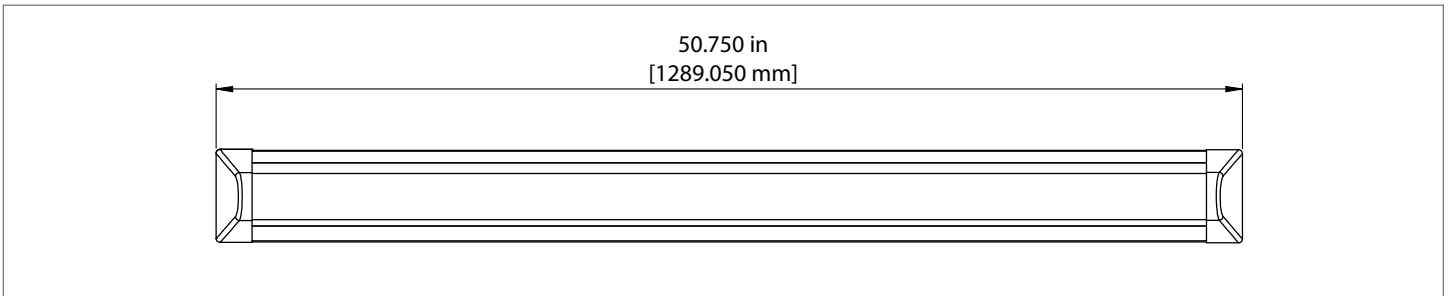


Drawings and Dimensions

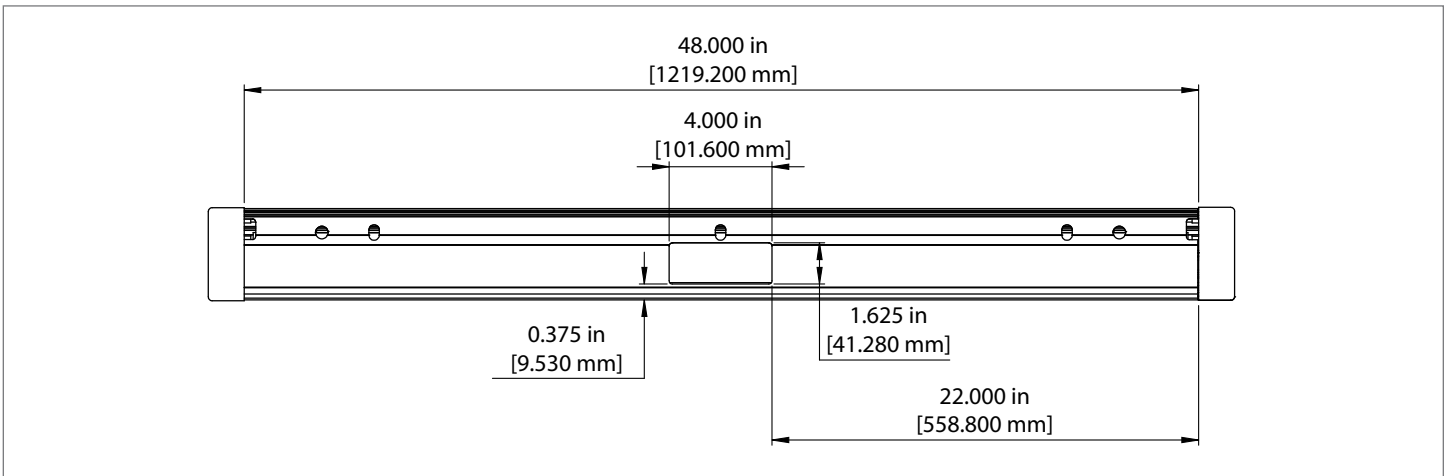
FRONT VIEW - 4 FT SKYLINE



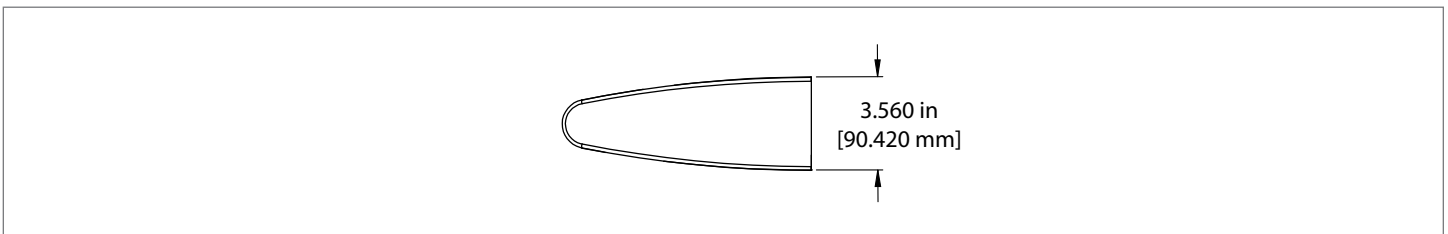
TOP VIEW - 4 FT SKYLINE



BACK VIEW - 4 FT SKYLINE



SIDE VIEW - 4 FT SKYLINE



Included Components/Parts



SKYLINE FIXTURE



HANGING BRACKET

REQUIRED HARDWARE (Provided by Others)

- For drywall - 3/16" toggle bolts
- For wall studs - #10 x 1½" phillips pan head self-drilling TEK screws

REQUIRED TOOLS (Provided by Others)

- Screwdrivers
- Tape Measure
- 1/2" Drill Bit
- Level
- Wire Stripper
- 3/8" Socket

Installing the Skyline Overbed LED Light

1. Mounting the Hanging Bracket

NOTE: Please remove the protective film off the lens before installing the fixture

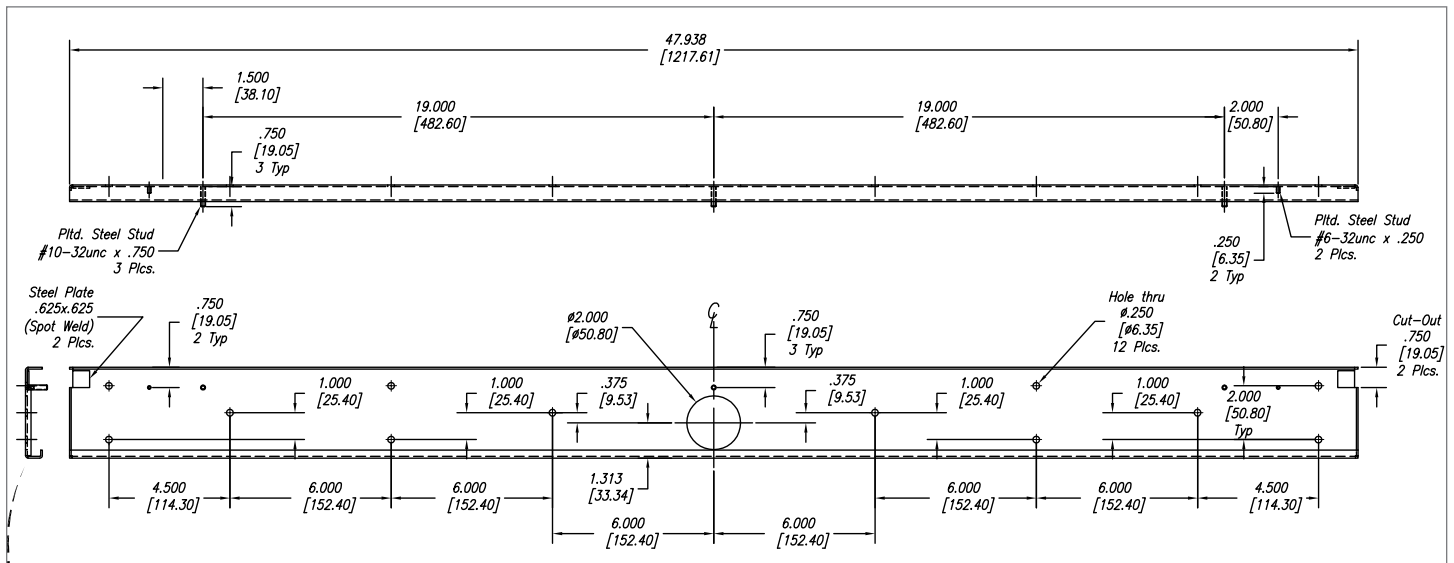
Mounting hardware shall be provided on site by others and shall comply with the local building code.

Amico recommends the fixture to be installed at a height of 6' (1.8 m) above finished floor.

2" x 4" (5.0 cm x 10.2 cm) electrical box should be used for electrical terminations.

For feed opening and mounting holes dimensions, refer to the drawing of the hanging bracket below.

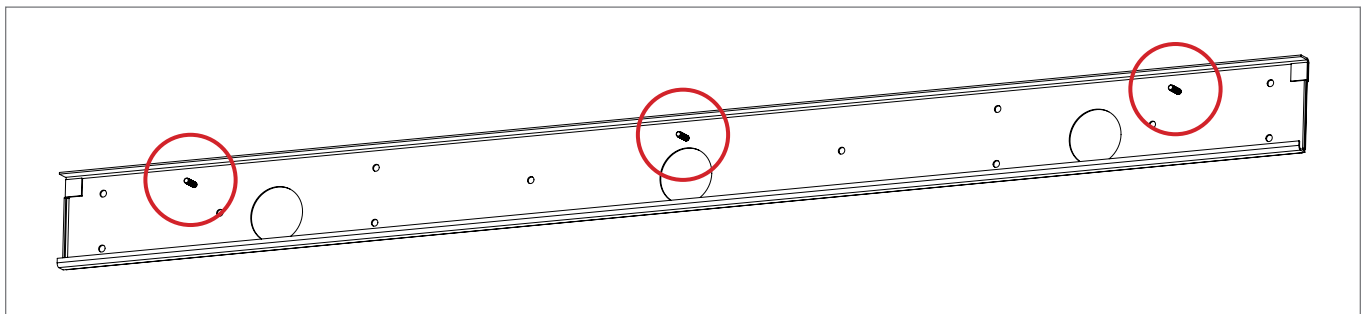
HANGING BRACKET



1. Use the hanging bracket as a template and make a mark at the pilot holes on the mount surface. At least six mounting holes are required.

IMPORTANT: Must be mounted with location pins at the top position.

HANGING BRACKET

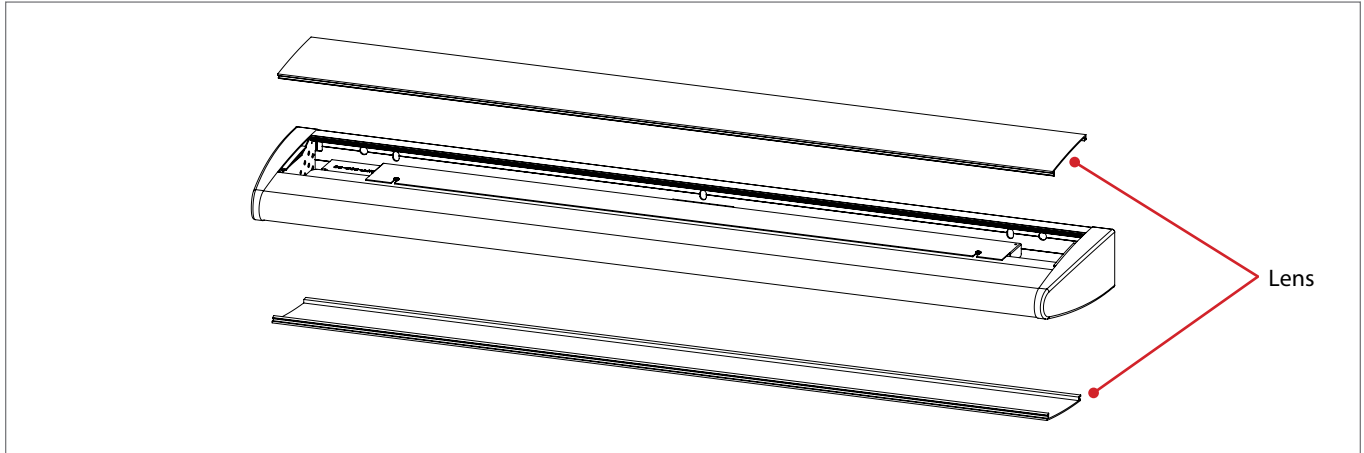


2. Using a metal stud finder, check if any pilot holes are aligned with wall studs.
3. For drywall mounting use 3/16" toggle bolts to secure the back plate. The 1/2" sized holes are required in the drywall.
4. For wall studs mounting, Amico recommends using #10 x 1 1/2" Phillips pan head self-drilling TEK screws.

Installing the Skyline Overbed LED Light

2. Installing the Fixture

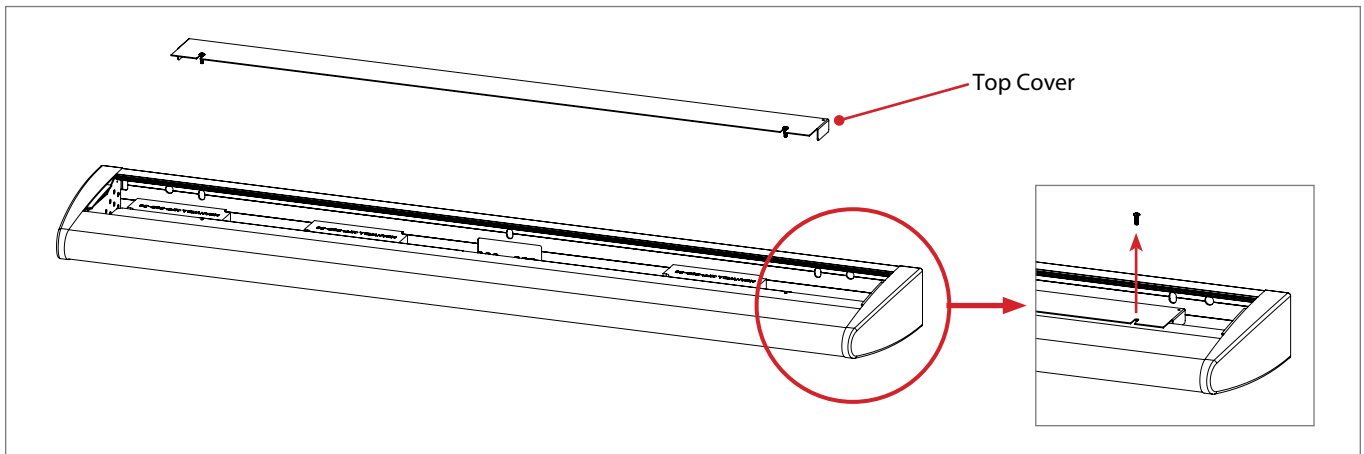
1. Remove the top and bottom lenses.



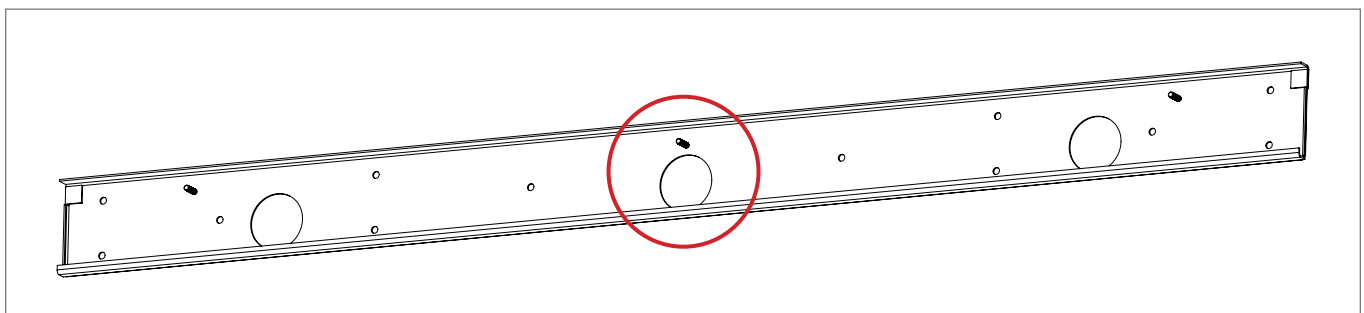
2. Remove the power to the electric power supply leads before installation.

! IMPORTANT: Read the specified voltage from the fixture label. Be sure the line voltage is the same.

3. Remove the top cover to gain access to the wiring compartment.

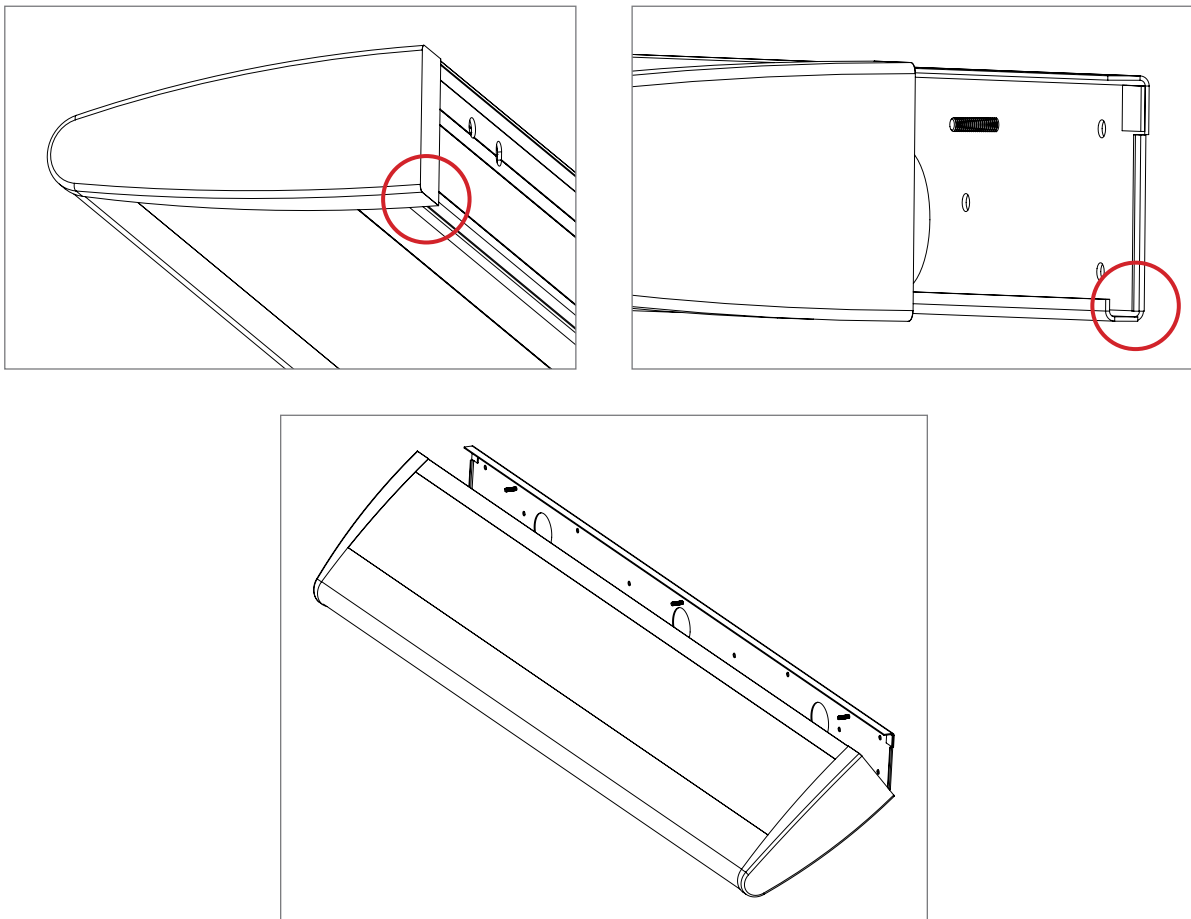


4. Feed wires into the fixture through the back opening.

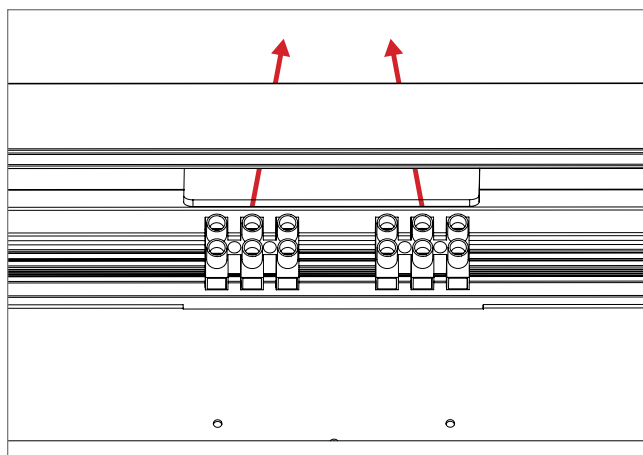


Installing the Skyline Overbed LED Light

5. Attach the fixture to the hanging bracket and secure with 3 #10 Hex Lock Nuts and 3 washers included with fixtures.



6. Make all necessary connections to the wire terminal blocks according to the wiring diagram provided with the specific project. When complete, replace the cover plate to the lenses.



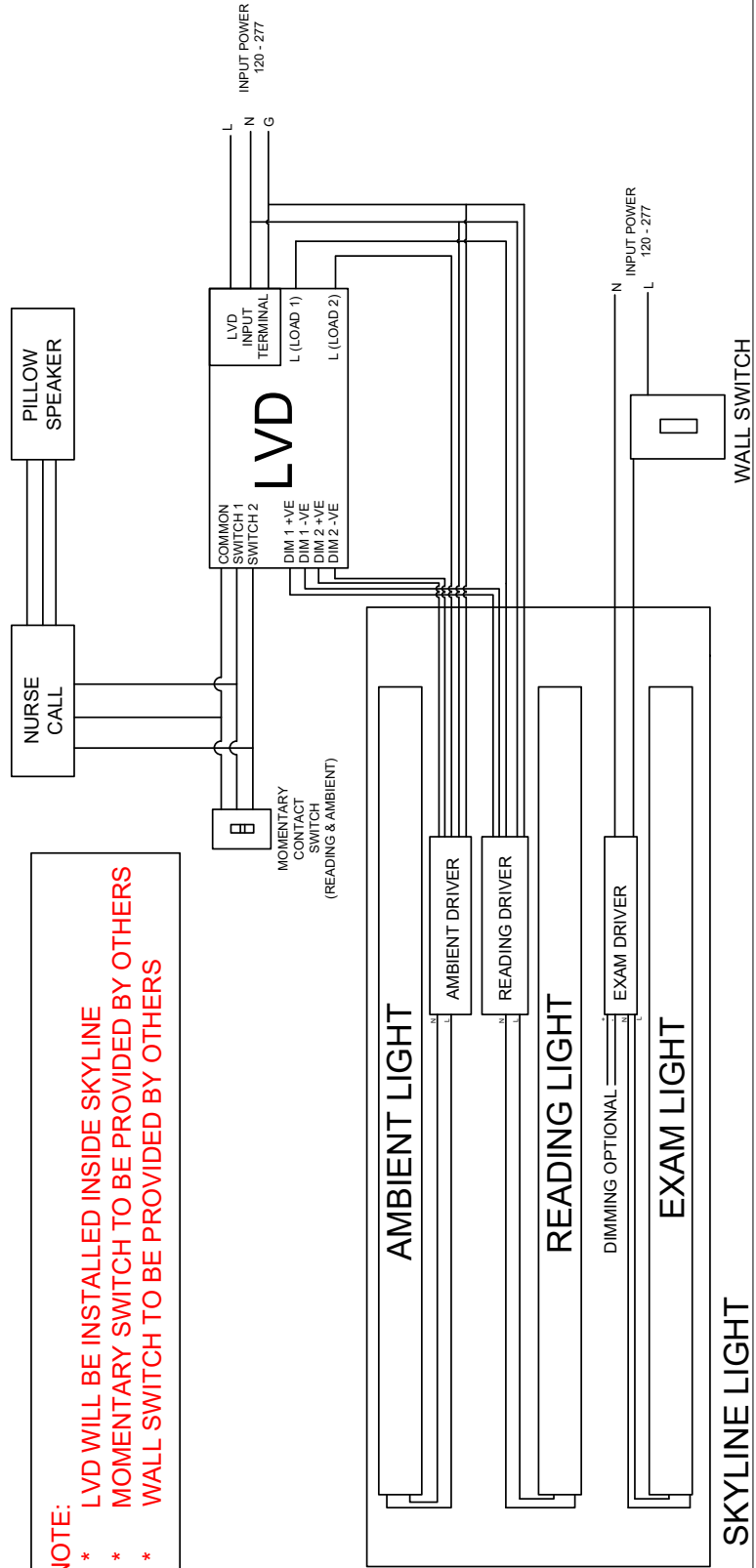
7. Replace the top cover.

! **IMPORTANT:** Refer to wire diagrams for specific orientation.


Wiring Diagram

SKYLINE (RAE); EXAM - WALL SWITCH; READING & AMBIENT - NURSE CALL & MOMENTARY SWITCH

TWO BUTTON ON PILLOW SPEAKER TO CONTROL AND DIM READING AND AMBIENT INDEPENDENTLY



- NOTE:**
- * LVD WILL BE INSTALLED INSIDE SKYLINE
 - * MOMENTARY SWITCH TO BE PROVIDED BY OTHERS
 - * WALL SWITCH TO BE PROVIDED BY OTHERS



AMICO LIGHTS CORPORATION
 122 B EAST BEAVER CREEK ROAD, RICHMOND HILL,
 ONTARIO, CANADA, L4B 1G6
 TEL: 905-764-0800
 WWW.AMICO.COM/DIVISIONS/LIGHTS

Disinfecting, Cleaning and Sterilization

NOTICE:

Damage due to improper cleaning.

- Do not use alcohol, solvent or cleaning agents containing chlorine or scouring agents.
- Damage to lens by concentrated disinfectant or solvent.
- Follow the manufacturers recommended mixing ratio.
- Use of incorrect cloths may scratch lens.

NOTICE:

A dirty lens will reduce the illuminating power.

- Clean lens regularly.
- Spray and wipe disinfection is permitted.
- Clean the lens with a leather cloth soaked in cleaner.
- Spray disinfectant in horizontal position.

NOTICE:

The external components of the light can be disinfected with the following diluted products:

- Lysoformin
- Dismozon
- Hexaquart plus
- Sagrotan – fast disinfecting cleaner

NOTICE:

The local government regulations for disinfection must also be observed in addition to these instructions.

Warranty

Architectural Lighting Solutions (LightMaster, Lunar Series, Skyline Series, Solar Series, Solar Eclipse Series, Solar Duo Med Series, Solar Surgical, Behavioral Series)

Amico Lights Corporation warrants its products against defective materials and workmanship for twelve (12) months from the date of shipment. Within this period, Amico Lights Corporation will repair or replace any part on site or at the factory which is proven to be defective at Amico Lights Corporation's cost.

Furthermore, Amico Lights Corporation will warrant its material to be free from defect for an additional period of four (4) years (five [5] years from the date of shipment). Within this period, Amico Lights Corporation will replace any part at no charge, which is proven to be defective. Shipping and installation costs after the first twelve (12) months will be borne by the customer.

The warranty applies to normal usage and does not apply to any product that has been subject to alteration, abuse, negligence, or use (including voltage and/or current) other than that for which the product was designed.

Amico Lights Corporation shall not be liable for incidental or consequential damages resulting from the use of the equipment.

All claims for warranty must first be approved by Amico Lights Corporation. A valid Return Goods Authorization (RGA) number must be obtained from Amico Lights Corporation prior to commencement of any service work. Warranty work which has not been pre-authorized by Amico Lights Corporation will not be reimbursed.

Notes

www.amico.com

Amico Lights Corporation | 122-B East Beaver Creek Road, Richmond Hill, ON L4B 1G6, Canada
Toll Free Phone: 1.877.462.6426 | Toll Free Fax: 1.866.440.4986 | Tel: 905.764.0800 | Fax: 905.764.0862
Email: info@amico.com | www.amico.com

ALT-IM-SKYLINE-LED 03.14.2023

