

# Slimline Series Overbed LED Light

## Quick Installation Instructions

### INTRODUCTION

Congratulations and thank you for your purchase of the Amico Slimline Series Overbed LED light.

To ensure proper functionality and performance of the Slimline Light, please read the following instructions very carefully before installing the fixture. Keeping safety in mind, please follow the safety instructions and requirements included in this document. The installation instructions provided are for Amico's standard products. Slight modifications to the installation may be required for custom configurations and wall conditions.

If you need information for further instructions on operation, maintenance, and/or descriptions of the product, please feel free to contact Amico's Customer Service at: [alt-customerservice@amico.com](mailto:alt-customerservice@amico.com)

For technical support please contact: [alt-techsupport@amico.com](mailto:alt-techsupport@amico.com)

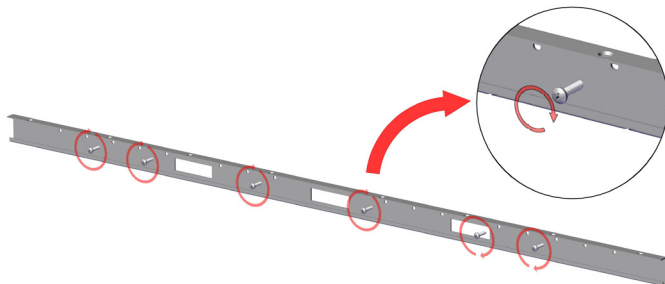
The product shipped to the job site may not be exactly as shown in the installation drawings.

To learn more about Amico's portfolio of healthcare lighting products, visit <https://www.amico.com/lights>

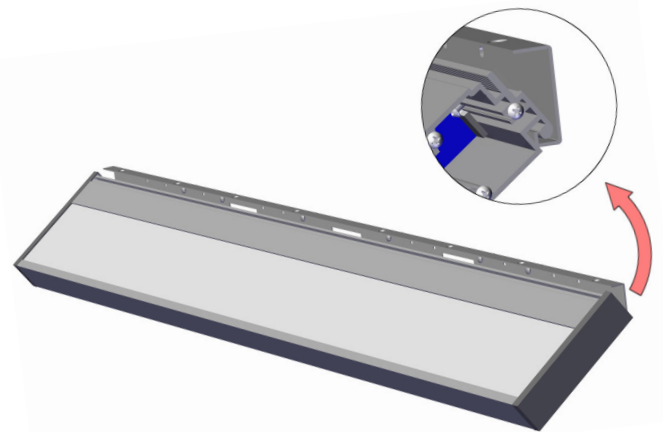
### INSTALLING THE FIXTURE

1. (Optional) Align the cover plate over the junction box opening and secure with the two 6-32 screws and two #6 retaining washers, as provided with the fixture.

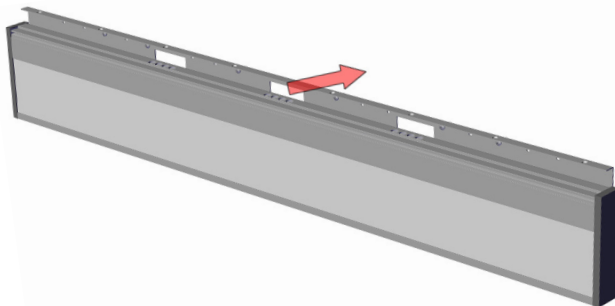
2. Secure the backplate with a minimum of 4 x #10 screws (not provided with the fixture).



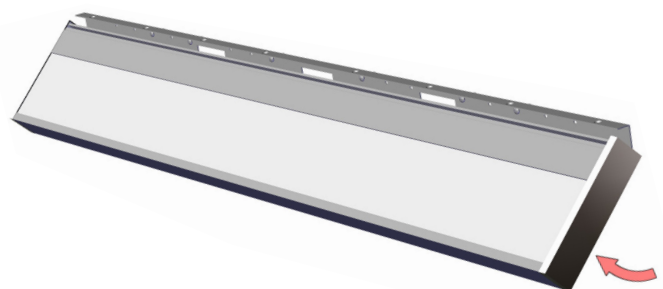
3. Place the fixture on the backplate such that the back extrusion and the backplate align together as shown.



4. Wires must be run through the holes in the backplate and wired appropriately. Contact factory for custom wiring diagrams.



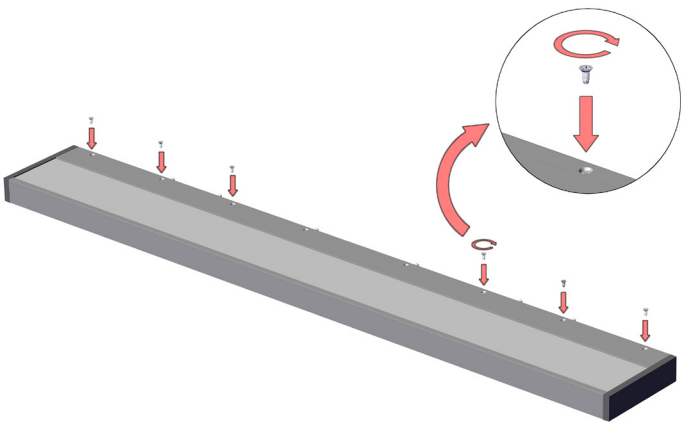
5. Once the wiring is done, swing the fixture back so that it is horizontal to the ground.



# Slimline Series Overbed LED Light

## Quick Installation Instructions

- Secure the fixture with the provided 8 – 32 flat head screws.  
(Screws are provided with the light).



### NOTES:

- 10 – 32 screws are not provided with the fixture.
- Please contact Amico Lights for any issues related to wiring or assembly.

## BACKPLATE DIMENSIONS FOR ROUGH-IN LOCATION

