

### Description:

The Solar Duo Med Ambient/Exam LED Light is designed to provide you with optimal light that meets your general patient room requirements. With patient safety in mind, all of the LEDs are fully enclosed. The lenses and reflectors used offer clean, glare-free light to ensure maximum light output for caregivers to perform their tasks.

### Features:

- Hospital grade material and finish
- Acrylic diffuser
- Ambient lights
- Exam lights
- Seam welded enclosure
- Long lasting LEDs
- Options for triple gasketing and overlapping door available



### Construction Material:

**Housing:** 20ga CRS, single piece, seam-welded construction

**Finish:** White urethane powder coat finish – hospital grade material and finish

**Lens:** IP65 rated fully enclosed CRS cover, with acrylic diffuser; 3 mm (0.118") standard thickness

**Drivers:** High power factor constant current, 0.97 pf @ 120 V (Class 2, Class II)

**Light Source:** Samsung LEDs mounted on Aluminum Core PCB

### Specifications:

**Voltage:** 120 - 277 Volts

**Standard Wattage:** Ambient: 30 W, Exam: 40 W, Total Pair: 140 W

**Standard Light Output:** Ambient: 3,185 lms, Exam: 4,230 lms, Total Pair: 14,830 lms

**Dimming Options:** 0 - 10 Volts, Standard 1% dimming; DALI options available

**Color Quality:** Standard 80 CRI, contact factory for 90 CRI option

**Standard Color Temperature:** 3000K, 3500K, 4000K (contact factory for additional options)

**Life of LEDs:** L70 > 100,000 hours

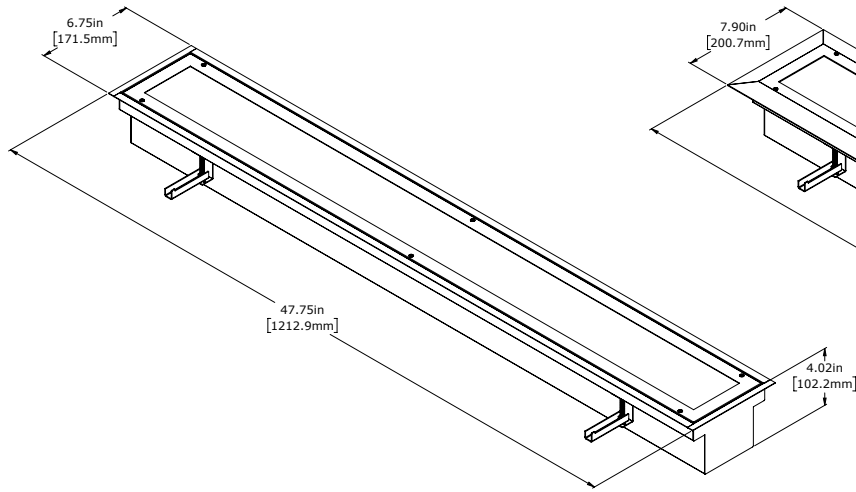
**Listings:** Certified to UL standards by ETL. Conforms to CSA standards as per ETL testing

**Warranty:** Limited five (5) year warranty

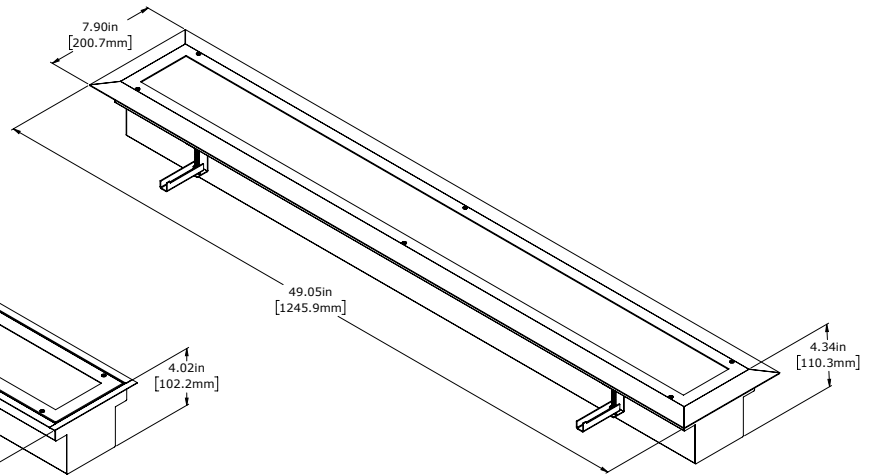


**Dimensions:**

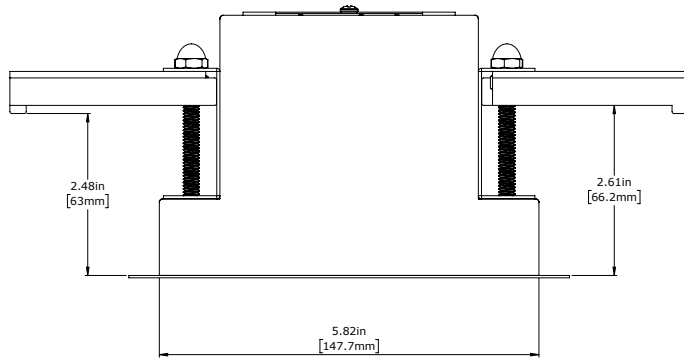
**Inset Door:**



**Overlapping Door:**



**Distance Between Swing Arm and Flange:**



**Ceiling Cutout Dimensions:**

**\*Per Single Duo Med Fixture**

Ceiling Cutout Length (inches)	Ceiling Cutout Width (inches)
47.25	6.125

\*Ceiling Cutout should be accurate within 1/16 of an inch