

### Description:

Precisely positioned LEDs allow for superior shadow control, light intensity, and depth of field, while proper color temperatures and a CRI of 95+ provide excellent color accuracy for minor procedure and examination.

Designed with convenience in mind the Vega 80 LED features an easy to use control pad to adjust light functions and intensity. A removable handle is ergonomically positioned off to the side to maximize light field for broader examinations.

### Features:

- Control pad on lighthead for easy access to light functions
- Slim design to reduce clutter in small workspaces
- Lightweight long reach arms allow for easy positioning
- Removable/sterilizable handle



Switch on the light at lighthead



Set the required luminosity with 5 dimming levels



Endo mode



### Construction Material:

**Color Options:** Antique white

**Lighthead Diameter:** 14" (35.6 cm)

**Lighthead Weight:** 7 lbs (3.3 kg)

**Number of LEDs (main):** 18

**Brightness Control:** 50% - 100%

**Light Field Diameter:** 7.5" (19 cm)

**Depth of Illumination:** 94.5" (240 cm)

**Power Supply:** Direct power supply

### Specifications:

**Shadow Dilution:** Single Mask: 0.7%, Double Cavity: 55.5%, Cavity: 100%, Single Mask with Cavity: 0.3%, Double Mask with Cavity: 55.3%

**Electrical:** 100-240 VAC, 50/60 Hz, 0.5 amps

**Color Rendering Index (Ra):** 95+

**Light Intensity (Central Luminance):** 80,000 Lux at 1 m

**Standard Color Temperature:** 4500K

**Life of LEDs:** L70 50,000 hours

**Certifications:** Conforms to: AAMI STD ES60601-1, IEC STD 60601-1-6, IEC STD 60601-2-41; Certified to: CSA STD C22.2 No. 60601-1

**Warranty:** Limited five (5) year warranty

**Ordering Guide:**

**L - VLED80 -**      -      -      -

┌  
└ Mounting Options     
 ┌  
└ Quantity of Lightheads     
 ┌  
└ Spring Arm Size

**For Example: L-VLED80-WM-XX-ST**

Vega 80 LED, Wall Mount, Single Lighthead, Standard Arm

**Ordering Information:**

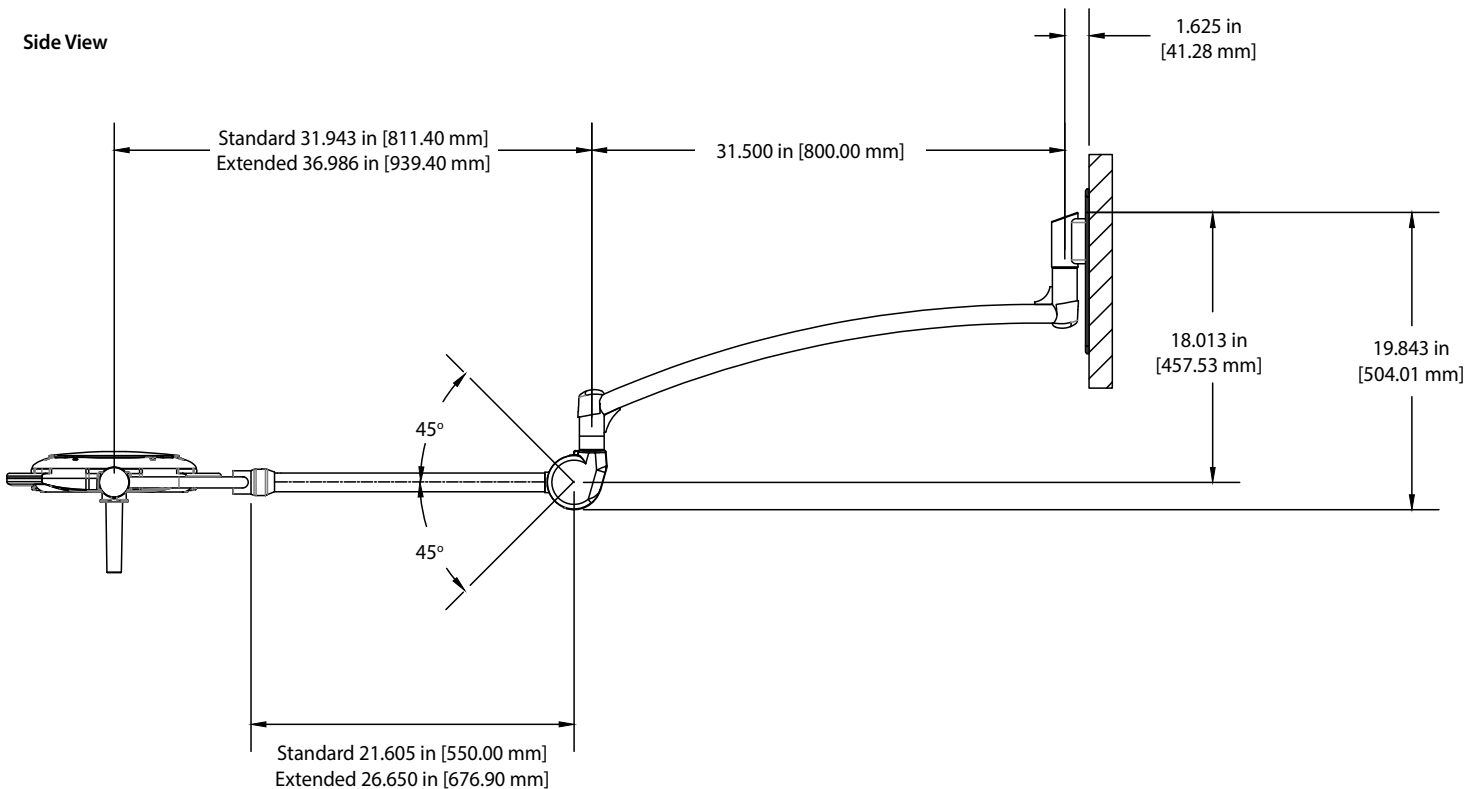
Series	Mounting Options		Quantity of Lightheads		Spring Arm Size	
L-VLED80	WM	Wall Mount	XX	Single Lighthead	ST	Standard
	FS	Floor Stand			EX	Extended*

**NOTES:**

North American: 120V; International: 230V  
 Extended Arm not available for Floor Stand

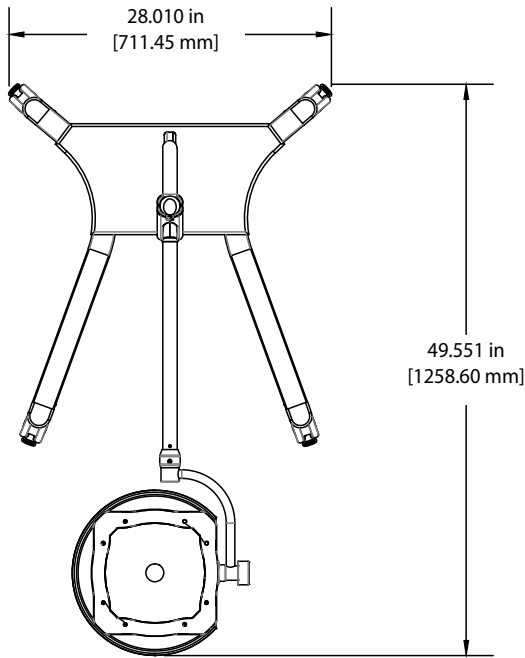
**Dimensions - Wall Mount:**

Side View



### Dimensions - Floor Stand:

Top View



Side View

