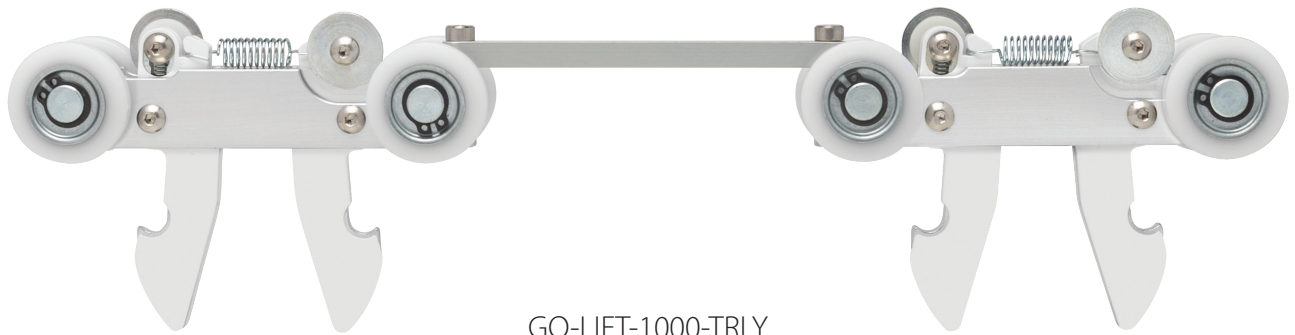


Product Overview
GoLift 1000lbs Trolley



GO-LIFT-1000-TRLY



GO-LIFT-1000-TRLY-CJ-ASSY

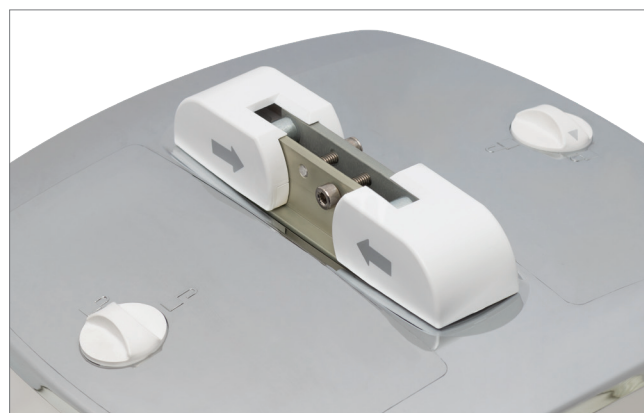


GoLift 1000lbs Trolley

The Amico quick release 1000lbs trolley serves as a mounting point for the 1000lbs capacity Amico GoLift 1000. The trolley consists of two Quick Release Trolleys joined together with a joining bar. This allows the trolley to move along a curved track while maintaining the proper operating distance. This prevents the two lifts from colliding and reduces the stress and wear on the straps by keeping the load balanced between two lifts. The trolley wheels are mounted on ball bearings that support the weight of the lift and patient, guiding them through the track system. Each of the joined trolleys have two spring loaded contact wheels located at the top of each trolley. These provide continuous rolling contact with the charging strips which are mounted in the top of the tracks for in-rail end stop charging or continuous charging. This trolley is a part of the quick release system which allows the lift to be mounted and removed quickly for efficient installation and servicing.

Lift Attachment/Detachment

The two locking screws must be inserted into the top of the lift for additional security against tampering. The trolley cannot be detached or attached when the screws are in place. Simply remove them to free the lift from the trolley.



To attach or remove the lift, remove the weight of the lift and squeeze the two buttons located on the top. This will release the lift from the trolley latches if it is quick release.



GoLift 1000lbs Trolley

Variations

GO-LIFT-1000-TRLY - 1000lbs Manual Traverse Trolley

The 1000lbs trolley is compatible with Amico's GoLift 1000 system. Maximum capacity is 1000lbs to be mounted on GoLift 1000 (dual GoLift 700 joined together)

GO-LIFT-1000-TRLY-CJ-ASSY - 1000lbs Manual Traverse Curtain Jumping Trolley

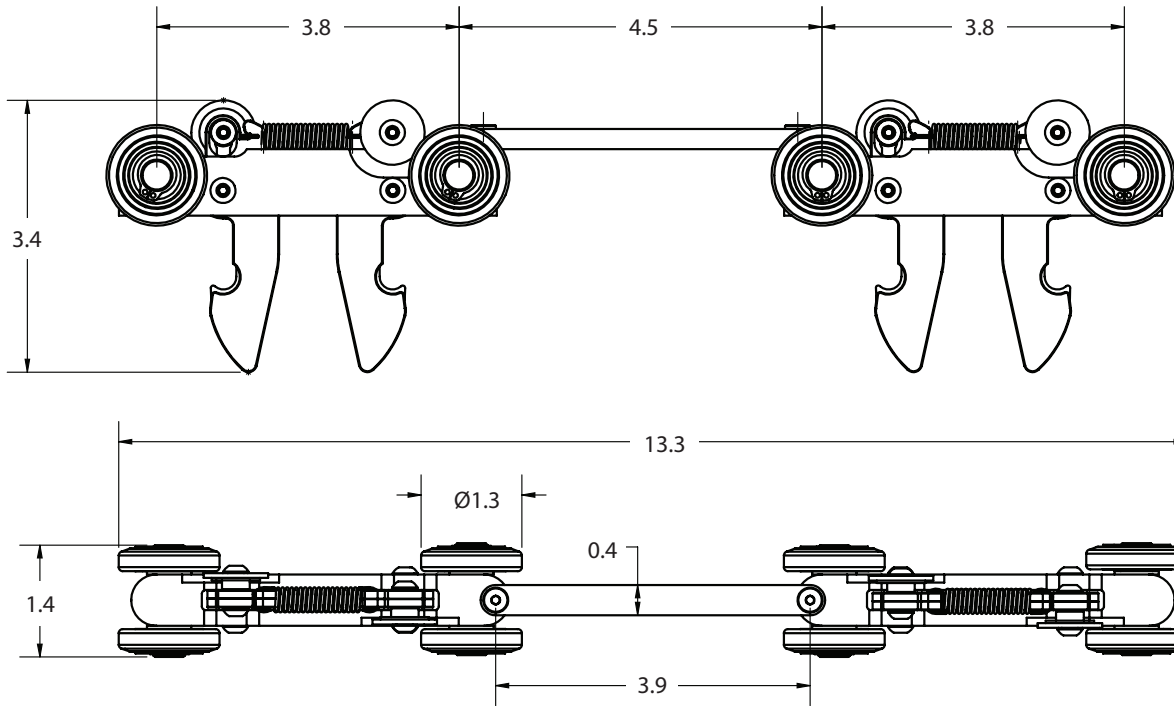
The 1000lbs trolley is compatible with Amico's GoLift 1000 system. Maximum capacity is 1000lbs to be mounted on GoLift 1000 (dual GoLift 700 joined together). Maximum curtain jumping distance of 15/16" (24mm).

Features

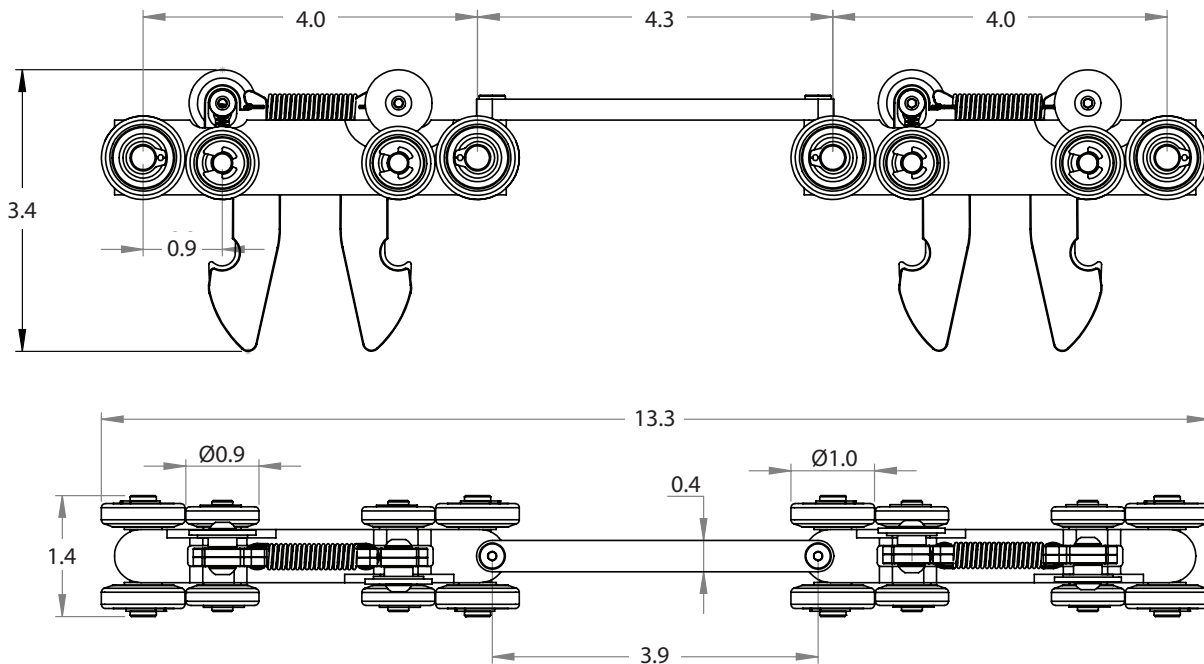
- Max capacity: 1000lbs (with two lifts).
- Quick release system compatible.
- Continuous and end stop in-rail charging compatible (end stop charging will require 2' sections of charge strip rather than the 1' that is with the 400lbs and 700lbs lifts).
- Compatible with any Amico track profile: straight or curved.
- Not compatible with the turntable.
- Maximum Curtain Jump distance of 5/16" (24mm) (Only applicable for GO-LIFT-1000-TRLY-CJ-ASSY).

Dimensions

GO-LIFT-1000-TRLY



GO-LIFT-1000-TRLY-CJ-ASSY



*Dimensions are shown in inches

Amico Mobility Solutions Corporation | www.amico.com
122-B East Beaver Creek Road, Richmond Hill, ON L4B 1G6, Canada | 600 Prime Place, Hauppauge, NY 11788, USA
Toll Free Telephone: 1.877.462.6426 | Toll Free Fax: 1.866.440.4986 | Telephone: 905.764.0800 | Fax: 905.764.0862

AMO-PO-GOLIFT-1000LBS-TROLLEY 02.10.2025

EC REP AJW Technology Consulting GmbH
Breite Str. 3, 40213 Düsseldorf, Germany

