

Product Overview

GoLift Scale



GO-LIFT-SCALE-ASSY
Class 3 Scale: GO-LIFT-SCALE-EU-ASSY



GO-LIFT-SCALE-FIX-ASSY



GoLift Scale

The GoLift Scale integrates with the patient lift system to measure a patient's weight. It is a modular component that is mounted between the bottom of the strap and the carry bar. There are three different variations of the GoLift Scale. Please refer to the manual for operating instructions.

NOTE: Before using the fixed scale, ensure that the pin is properly locked into the scale and locked in place with the ring.

Models

	GO-LIFT-SCALE-ASSY	GO-LIFT-SCALE-FIX-ASSY	Class 3 Scale GO-LIFT-SCALE-EU-ASSY
Maximum Capacity	454 kg (1000 lbs)	454 kg (1000 lbs)	400 kg (880 lbs)
Display Resolution	e = 0.1 kg	e = 0.1 kg	e = 0.2 kg
Accuracy	0.1% ± 1 digit of displayed resolution	0.1% ± 1 digit of displayed resolution	0 - 100 kg: ± 0.2kg 100 - 400 kg: ± 0.4kg
Connection Type	Quick connect	Fixed connect	Quick connect

NOTE: Class 3 Scale is only in kilograms.

Each scale comes with

- Weight module
- 9V battery
- Declaration of conformity
- Calibration certificate

How to Connect the Scale

GO-LIFT-SCALE-ASSY / GO-LIFT-SCALE-EU-ASSY

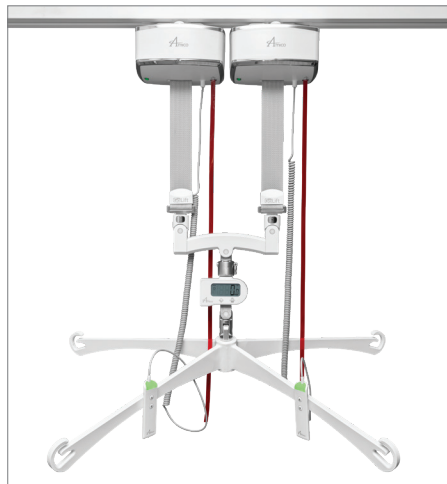
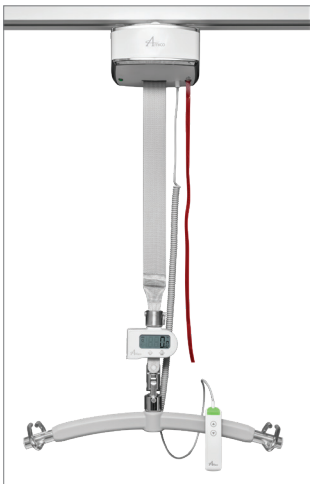
GO-LIFT-SCALE-ASSY and GO-LIFT-SCALE-EU-ASSY is only compatible with the quick connect variation of the GoLift 400 and GoLift 700.



GO-LIFT-SCALE-FIX-ASSY

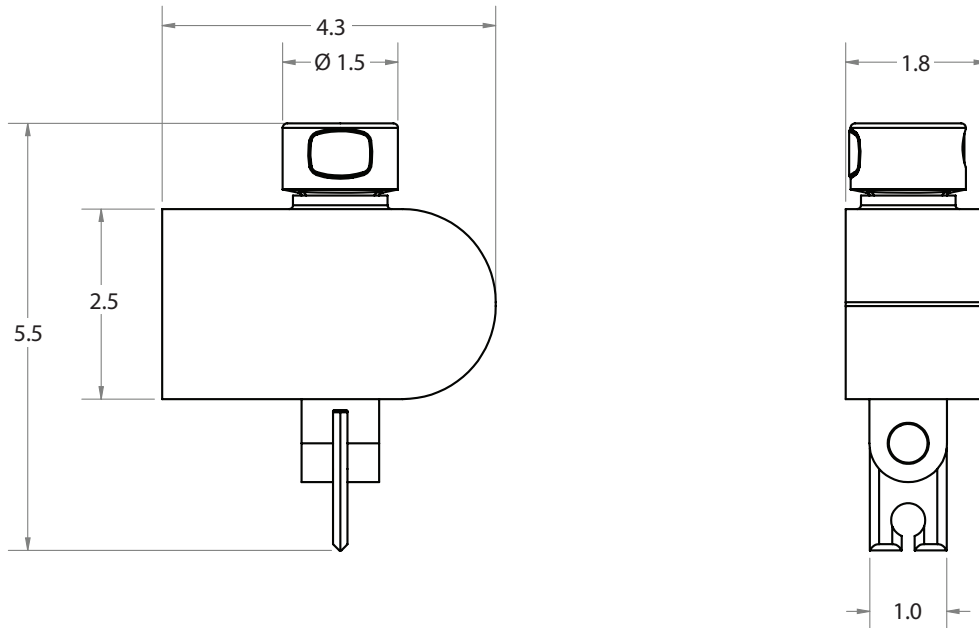
GO-LIFT-SCALE-FIX-ASSY is only compatible with the fixed variation of the GoLift 400 and GoLift 700, but also the quick connect variation of the GoLift 1000.

In regards to the GoLift 1000, the scale is directly integrated into the 4-point bariatric carry bar that can be ordered under a different part number (CB-GO-LIFT-4PT-1000-FIX-SCALE). Please refer to the GoLift Four Point Carry Bar for more information on this scale integrated bariatric carry bar.

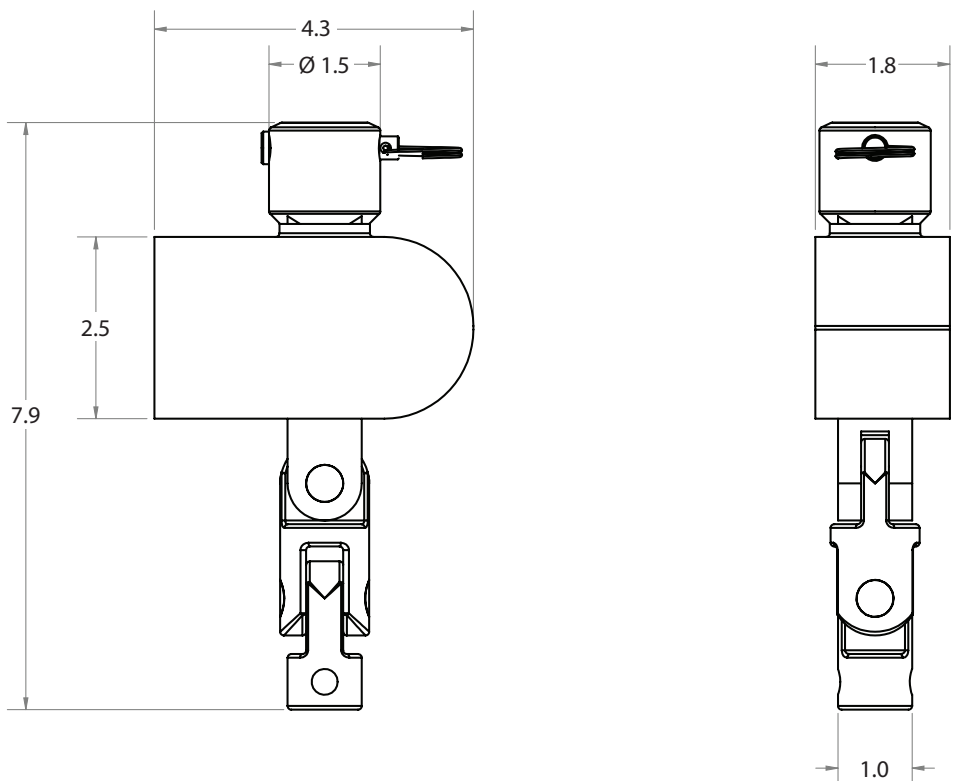


Dimensions

GO-LIFT-SCALE-ASSY/GO-LIFT-SCALE-EU-ASSY



GO-LIFT-SCALE-FIX-ASSY



*Dimensions are shown in inches

Amico Mobility Solutions Corporation | www.amico.com
122-B East Beaver Creek Road, Richmond Hill, ON L4B 1G6, Canada | 600 Prime Place, Hauppauge, NY 11788, USA
Toll Free Telephone: 1.877.462.6426 | Toll Free Fax: 1.866.440.4986 | Telephone: 905.764.0800 | Fax: 905.764.0862

AMO-PO-GOLIFT-SCALE 11.05.2024

EC REP AJW Technology Consulting GmbH
Breite Str. 3, 40213 Düsseldorf, Germany

