

Standard Bassinet

Product Specifications and Operating Manual

IMPORTANT: SAFETY INSTRUCTIONS

Read and understand all of the safety and operating instructions contained in this document. If you do not understand these instructions, or have any questions, contact your supervisor, dealer or the manufacturer before attempting to use the bassinet.

⚠ WARNING: Failure to comply with these instructions could result in injury to the infant and/or healthcare provider and/or damage to the bassinet.

User Responsibility

- This product is to be used only by people who have been properly trained in the operation of the bassinet
- Only open one drawer at a time
- Always remove the plastic mattress cover before using
- **DO NOT** lean on the plastic tub
- **DO NOT** lift the bassinet by the handles
- **DO NOT** place an infant on the flip up surface or pull out tray
- **DO NOT** exceed a weight of 5 lbs on the flip up surface or pull out tray
- **DO NOT** exceed a weight of 10 lbs per drawer

Intended Use

Drawers are strictly for diapers, light blankets and cotton swabs - not to exceed a total weight of 10 lbs per drawer.

General Maintenance

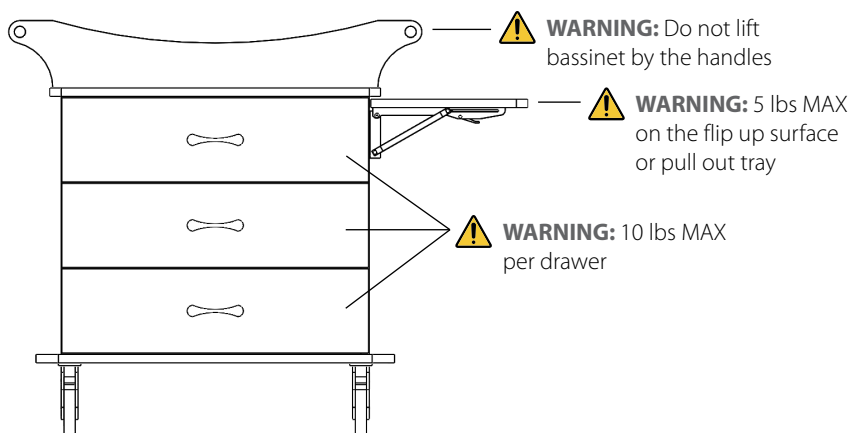
ATTENTION: Service of this bassinet should only be performed by properly trained individuals.

Periodic review of this bassinet is recommended. If any damage or defects are present, the bassinet should not be used. This includes parts that may have been altered, become contaminated or are worn or missing. If any of the above are noted, immediate repair or replacement is required.

If this product is subject to improper maintenance, repair, use and/or abuse leading to malfunction of the device, replacement is the sole responsibility of the user.

Standard Specifications

- Overall height from floor to handle: 36 ½" (+/- 1")
- Overall height from floor to tub: 41 ¾" (+/- 1")
- Sleep surface: (W x D x H) 27" x 13.75" x 4" (+/- 1")
- 5" casters - 2 locking and 2 non-locking



Standard Bassinet

Directions for Bassinet Use

⚠ WARNING: Failure to comply with these instructions could result in injury to the infant, healthcare provider and/or damage to the bassinet.

Putting an Infant Safely into the Bassinet

- Make sure that the front locking casters are in the locked position
- Inspect the bassinet tub to ensure that there are no other instruments inside
- Place the infant safely in the center of the bassinet tub

Before Moving the Bassinet

- Make sure that all of the drawers and/or doors are completely closed before moving the unit. Failure to do so could result in the drawers and/or doors opening during movement, causing the bassinet to tip
- Ensure that the front locking casters are unlocked before moving the unit
- Check to make sure that the bassinet tub is installed securely in the top space, in a flat position, before moving. Only move the bassinet in Trendelenburg position if clinically necessary
- Take as much care as possible to make sure that your path of travel is free from obstruction

Moving the Bassinet

- **DO NOT** move the bassinet by pushing on the bassinet tub
- **DO NOT** move the bassinet by pushing on the front or back. Use the handles located on either side of the bassinet. Failure to do so may cause the bassinet to tip
- Use caution while moving the bassinet, do not move at a high rate of speed
- **DO NOT** take corners at a fast speed
- Use both hands on the handles while moving the bassinet at all times
- Keep both hands on the bassinet handles until the unit is no longer in motion. **DO NOT** take your hands off until you are assured that it is fully stopped
- Make sure that feet are clear of the bassinet casters while in movement and that no bystander's feet are in the way of the unit

Using the Bassinet Features

- Ensure that all casters are locked before opening the drawers or cupboard doors
- Check to see that you have enough clearance around the perimeter of the bassinet before engaging the flip up or pull out surfaces
- **DO NOT** overload or pry on the attached chart holder

Infant Security

- Engage the locks on the front locking casters before taking an infant out of the bassinet tub
- Ensure that the rubber stoppers are intact before putting an infant into the bassinet tub
- **DO NOT** place an infant inside the bassinet tub if any structural damage is noticed on the unit

Cleaning Instructions

- Amico Patient Care recommends using a mild cleaning agent or detergent to clean this product
- Dampen a soft cloth with diluted cleaner and wipe the surface to remove dirt and fingerprints
- Wipe the surface with a soft dry cloth to remove any moisture