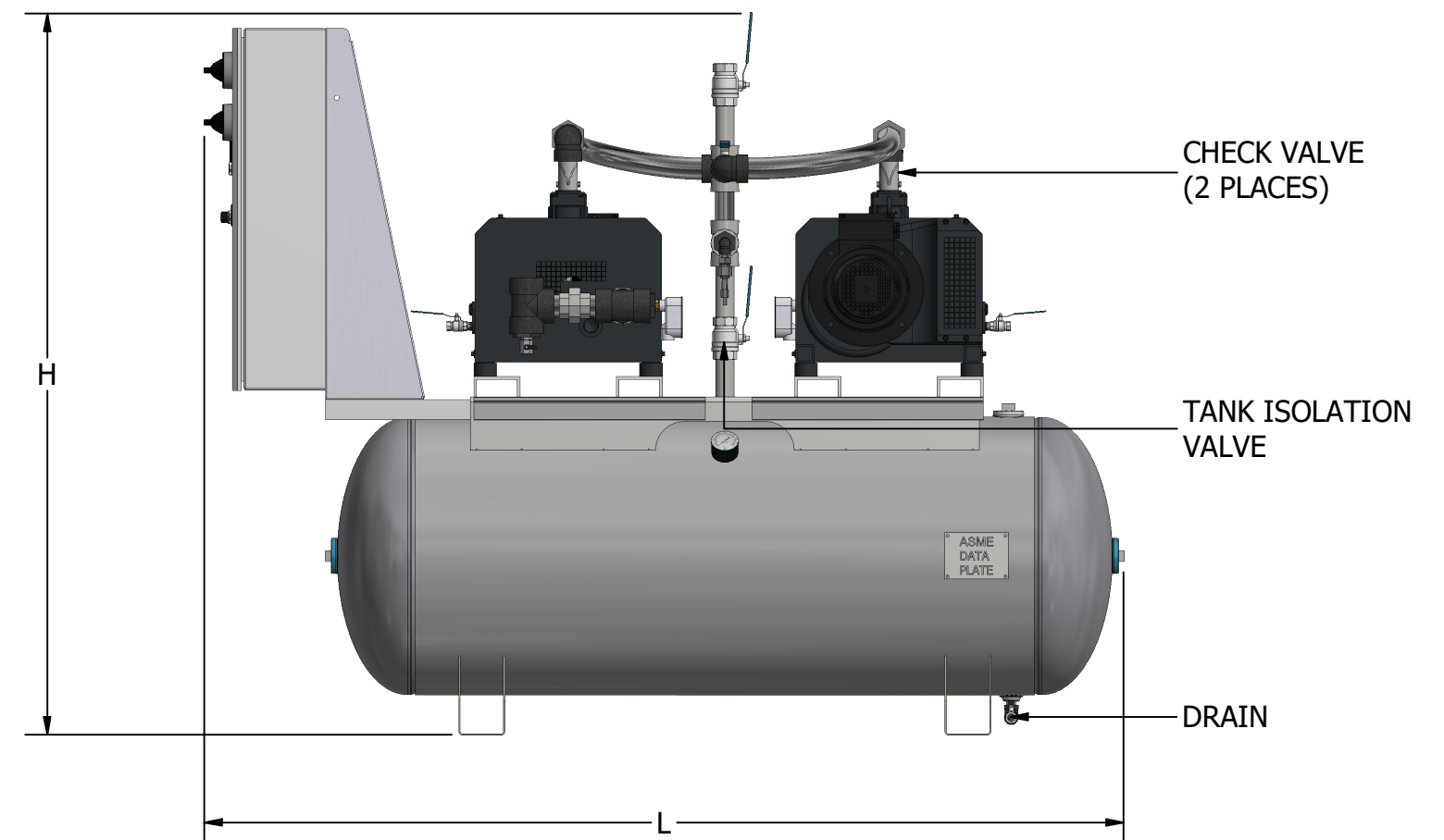
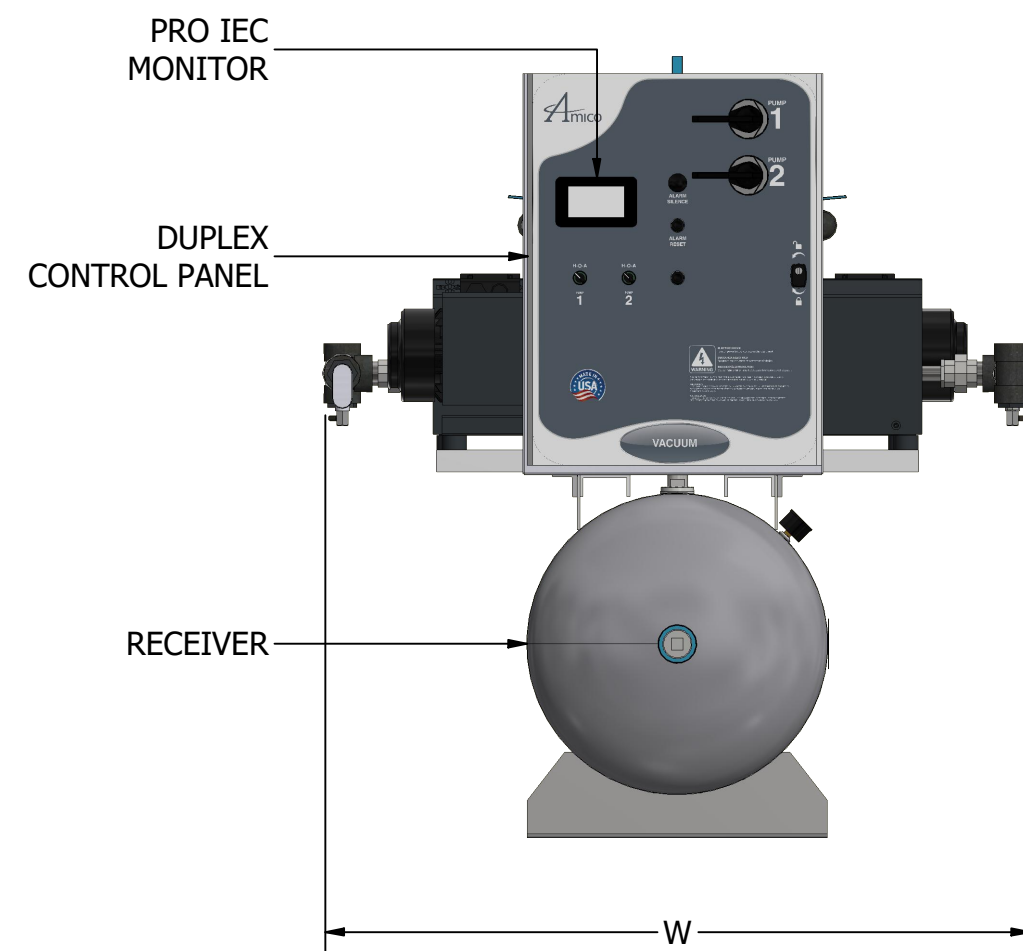
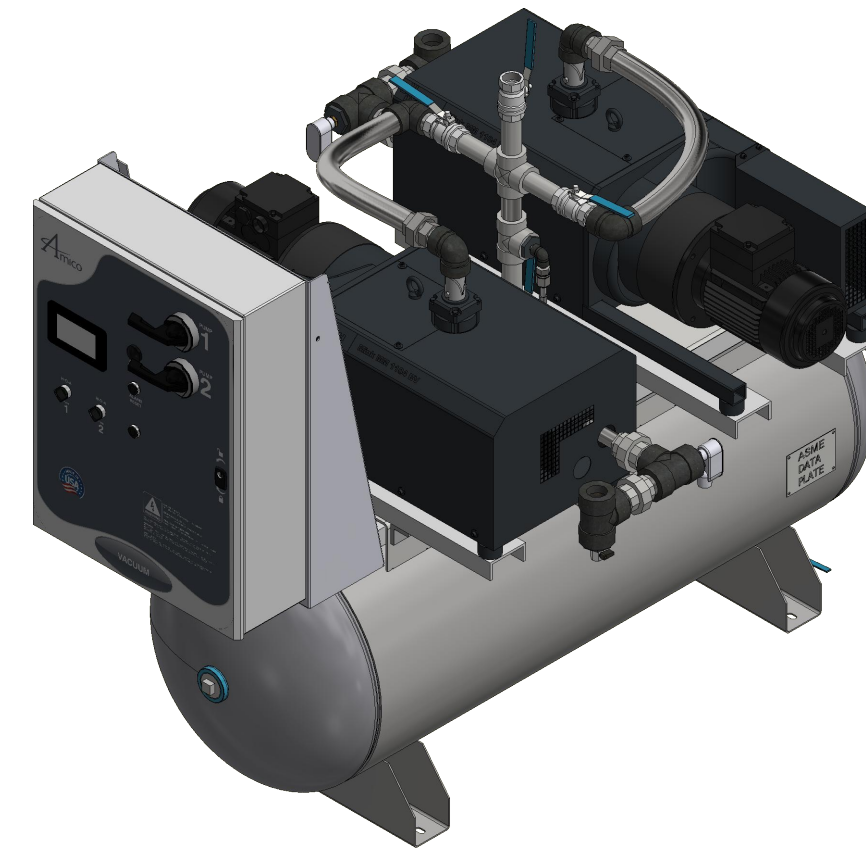
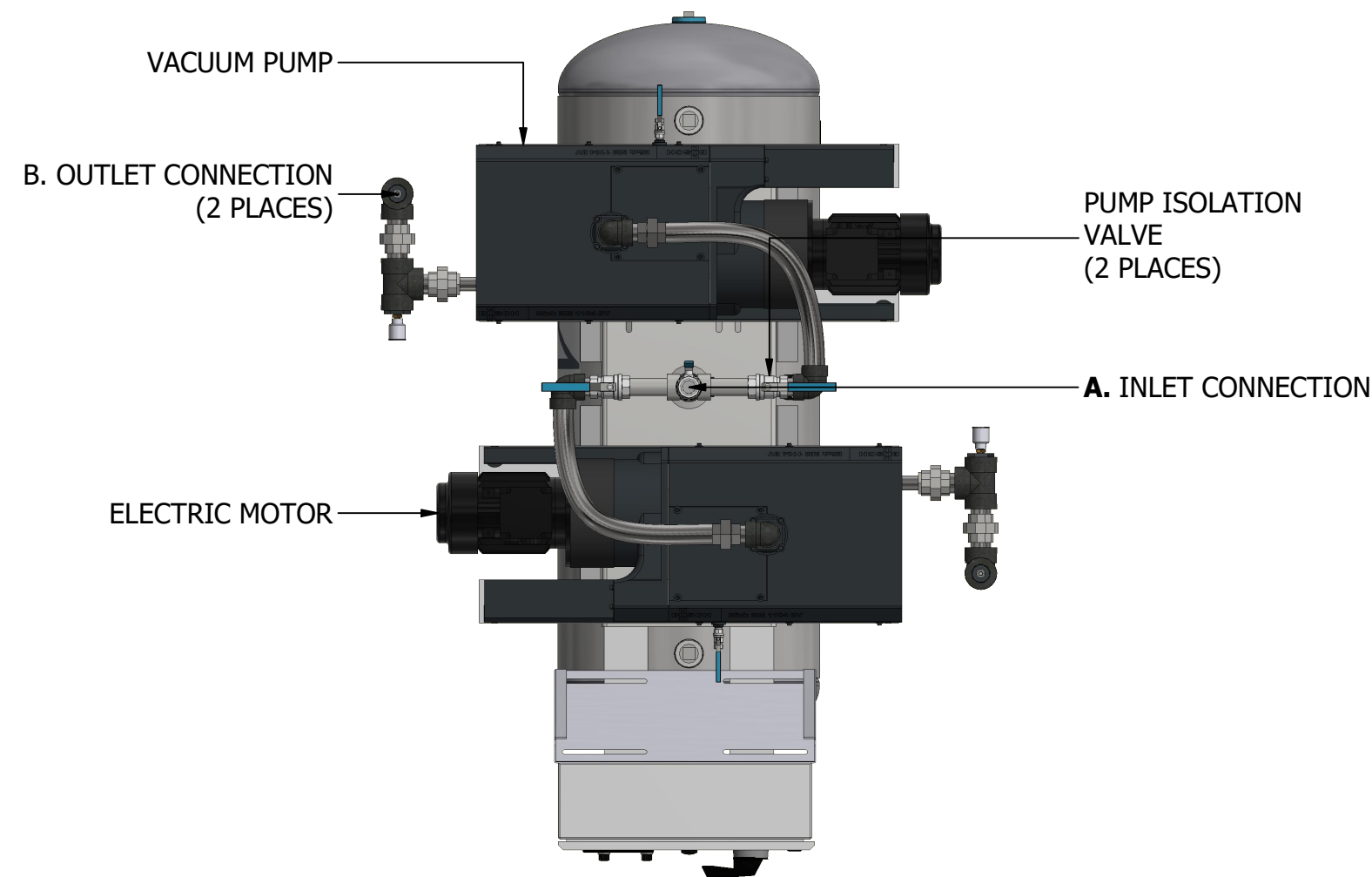


CONTACTLESS CLAW - DRY DUPLEX TANK MOUNTED VACUUM SYSTEM (2.0 HP - 7.5 HP)



DIMENSIONS SUBJECT TO CHANGE WITHOUT NOTICE

***SYSTEM CONFIGURATION DIFFERS FROM MODEL SHOWN**

****380 VOLTS DATA PROVIDED AT 50HZ
ALL OTHER VOLTAGES ARE RATED AT 60HZ**

ADDITIONAL MODELS AVAILABLE UPON REQUEST

MODEL	HP (kW)	A INLET NPT	B OUTLET NPT	TANK SIZE GALLON (LITRE)	PUMP SCFM @ 19" HG (LPM)		NFPA SYSTEM CAPACITIES WITH ONE COMPRESSOR ON STANDBY @ 19" HG (LPM)		WEIGHT IN LBS (KG)	SQ. FT. REQUIRED (M ²)	SYSTEM FLA (WITH ALL PUMPS RUNNING)				SYSTEM BTU/HR	SOUND LEVEL dB (A)	W (M)	L (M)	H (M)
					50 Hz Motor	60 Hz Motor	50 Hz Motor	60 Hz Motor			208V	230V	380V**	460V					
V-CCD-D-080P-TH-N-020*	2 (1.49)	1.25	1.5	120 (454)	13.3 (377)	16.0 (453)	13.3 (377)	16.0 (453)	1458 (661)	35.3 (3.27)	16	15	8	8	5,089	70	62 (1.57)	82 (2.08)	68 (1.73)
V-CCD-D-080P-TH-N-030*	3 (2.24)	1.25	1.5	120 (454)	17.5 (496)	21.0 (595)	17.5 (496)	21.0 (595)	1520 (689)	35.3 (3.27)	23	21	10	10	7,633	70	62 (1.57)	82 (2.08)	68 (1.73)
V-CCD-D-080P-TH-N-040*	4 (2.98)	1.25	1.5	120 (454)	24.2 (685)	29.0 (821)	24.2 (685)	29.0 (821)	1458 (661)	35.3 (3.27)	25	22	12	11	10,178	79	62 (1.57)	82 (2.08)	68 (1.73)
V-CCD-D-080P-TH-N-050	5 (3.73)	1.25	1.5	120 (454)	31.7 (898)	38.0 (1076)	31.7 (898)	38.0 (1076)	1520 (689)	35.3 (3.27)	30	27	12	13	12,722	79	62 (1.57)	82 (2.08)	68 (1.73)
V-CCD-D-120P-TH-N-064*	6.4 (4.77)	2.0	1.5	120 (454)	43.3 (1226)	52.0 (1472)	43.3 (1226)	52.0 (1472)	1768 (802)	37.5 (3.47)	37	36	20	18	16,284	79	62 (1.57)	87 (2.21)	68 (1.73)
V-CCD-D-120P-TH-N-075*	7.5 (5.59)	2.0	1.5	120 (454)	54.2 (1535)	65.0 (1841)	54.2 (1535)	65.0 (1841)	1790 (812)	37.5 (3.47)	48	38	21	19	19,083	79	62 (1.57)	87 (2.21)	68 (1.73)



600 Prime Place, Hauppauge
NY 11788, USA
Direct Tel: 905.764.0800
Tel: 1.877.462.6426
Fax: 1.866.440.4986