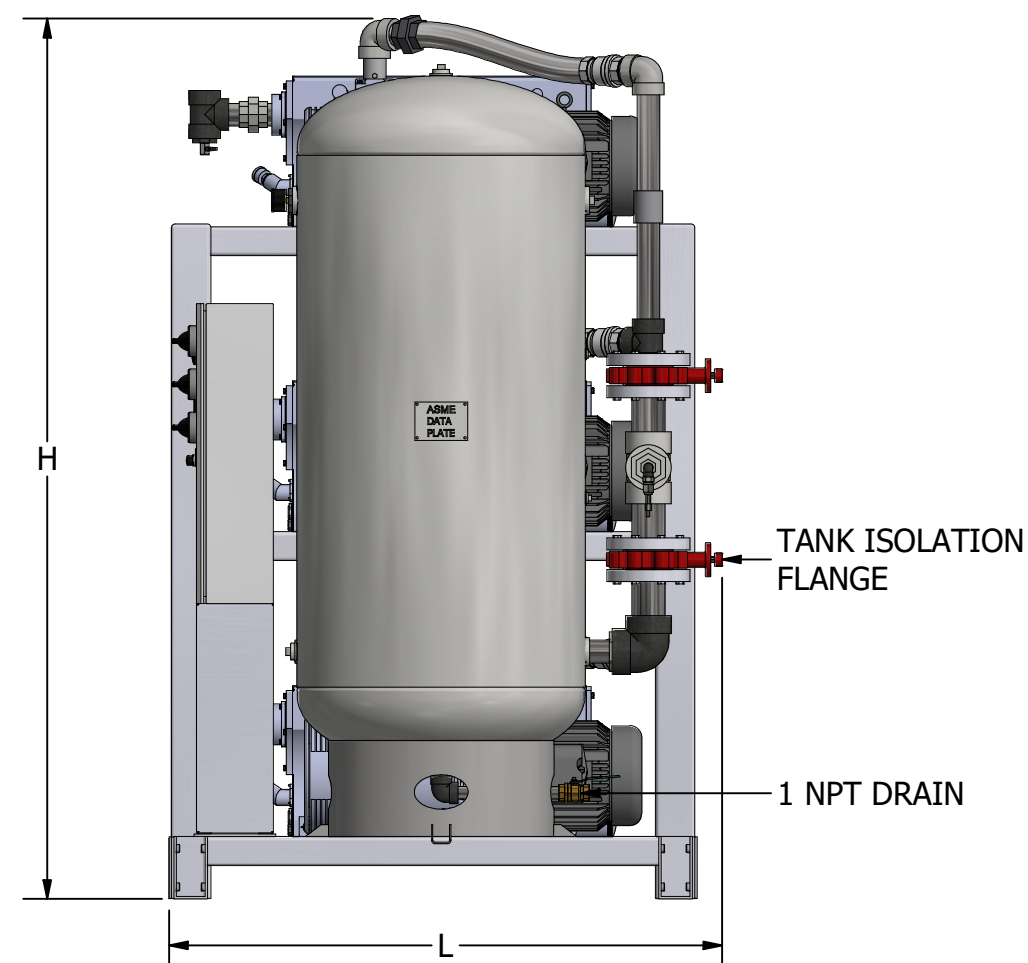
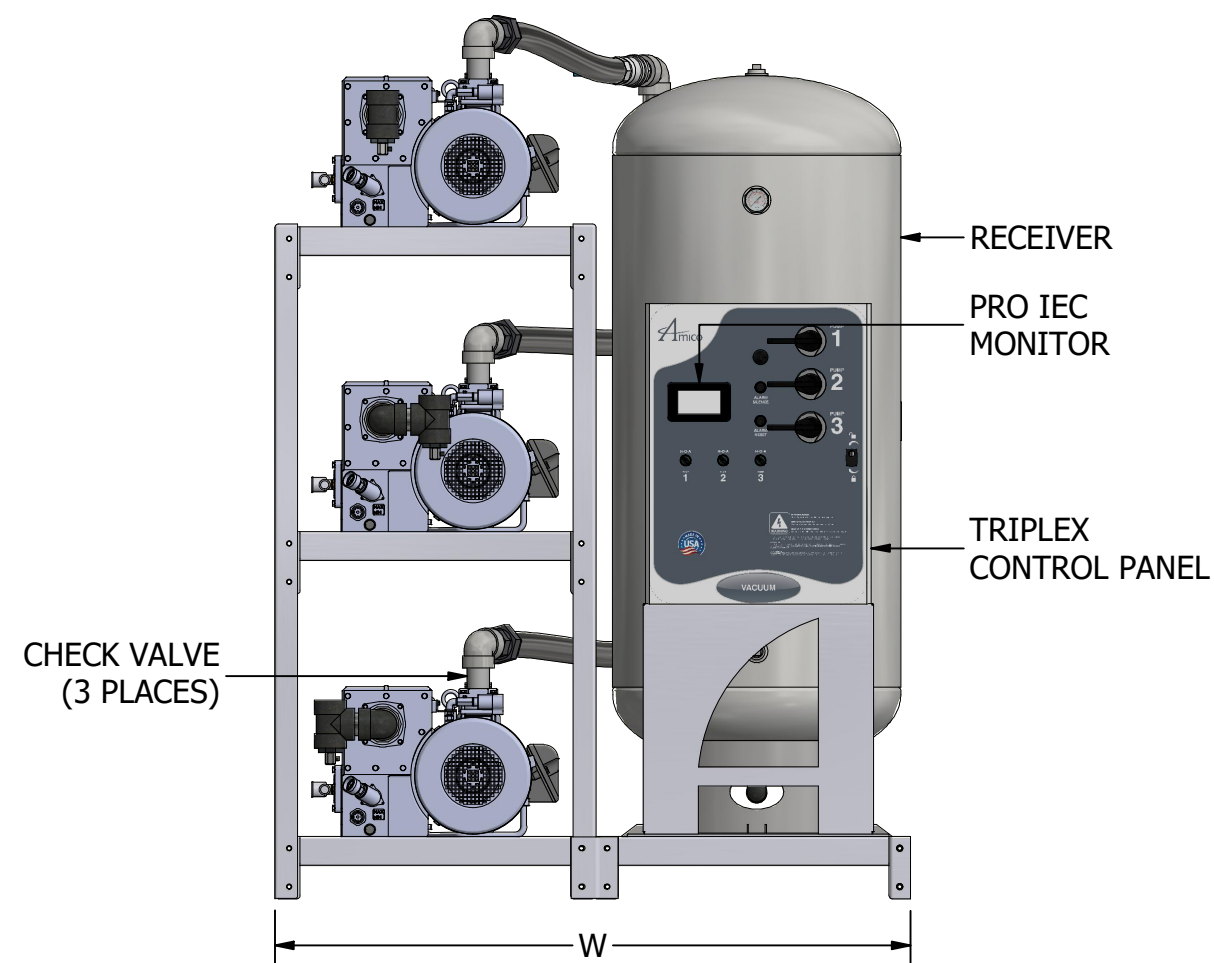
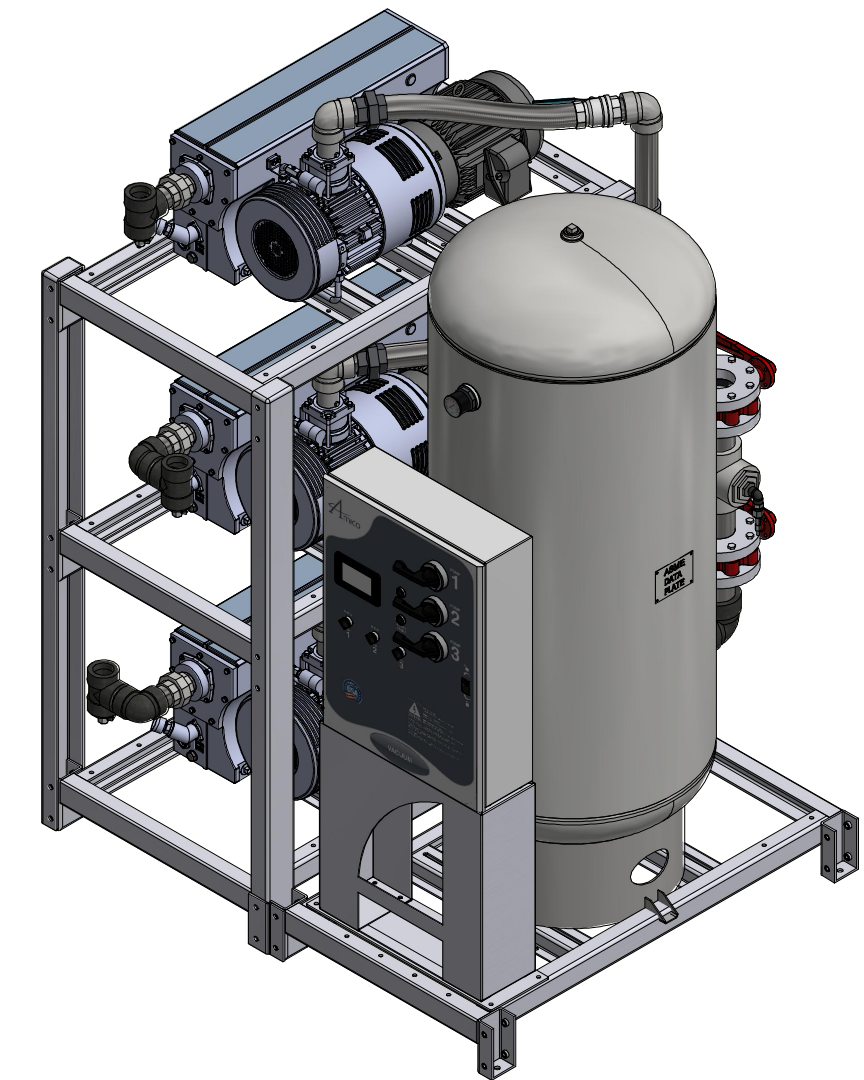
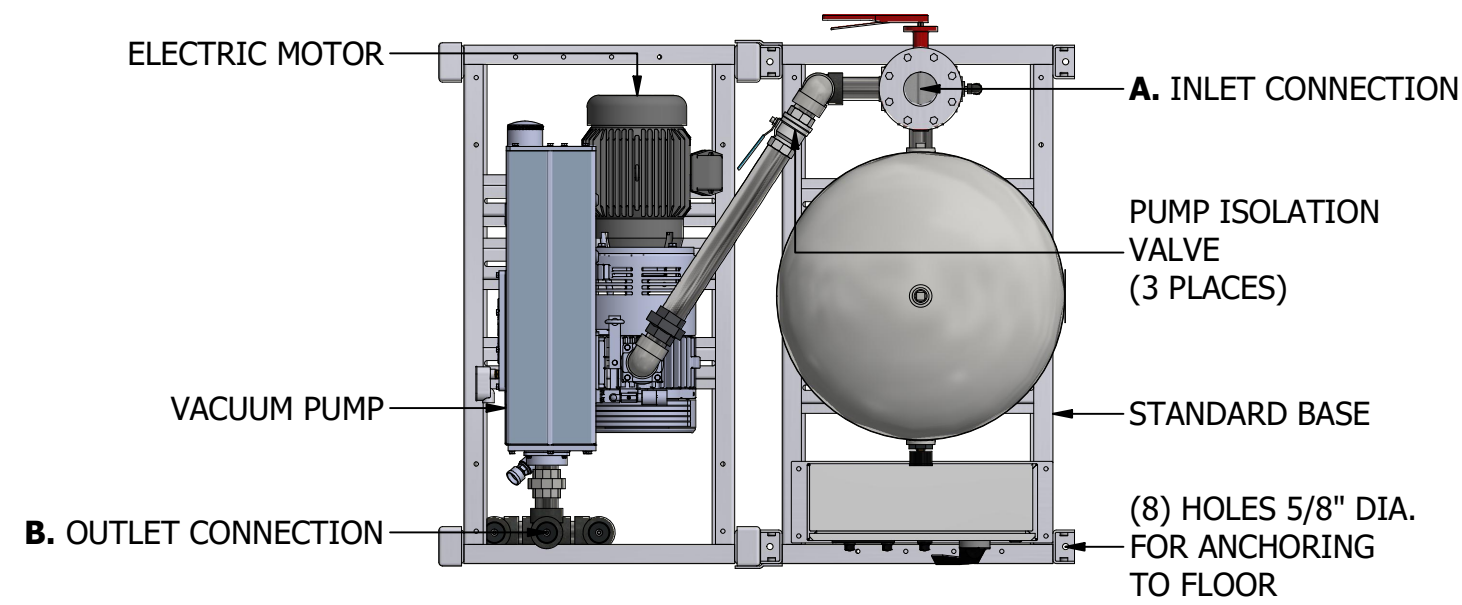


ROTARY VANE - LUBRICATED TRIPLEX STACK MOUNTED VACUUM SYSTEM (1.0 HP - 25.0 HP)



DIMENSIONS SUBJECT TO CHANGE WITHOUT NOTICE

MODEL	HP (KW)	A INLET NPT	B OUTLET NPT	TANK SIZE GALLON (LITRE)	PUMP SCFM @ 19" HG (LPM)		NFPA SYSTEM CAPACITIES WITH ONE COMPRESSOR ON STANDBY @ 19" HG (LPM)		WEIGHT IN LBS (KG)	SQ. FT. REQUIRED (M ²)	SYSTEM FLA (WITH ALL PUMPS RUNNING)				SYSTEM BTU/HR	SOUND LEVEL dB (A)	W (M)	L (M)	H (M)
					50 Hz Motor	60 Hz Motor	50 Hz Motor	60 Hz Motor			208V	230V	380V**	460V					
V-RVL-T-200P-SS-N-010*	1 (0.75)	1.0	0.75	200 (757)	4.0 (113)	4.8 (136)	8.0 (227)	9.6 (272)	1534 (696)	25.6 (2.38)	14	14	8	8	5,088	69	67 (1.70)	55 (1.40)	97 (2.46)
V-RVL-T-200P-SS-N-015*	1.5 (1.12)	1.5	1.25	200 (757)	5.8 (164)	7.0 (198)	11.6 (328)	14.0 (396)	1770 (803)	25.6 (2.38)	18	17	10	9	7,634	66	67 (1.70)	55 (1.40)	97 (2.46)
V-RVL-T-200P-SS-N-020*	2 (1.49)	1.5	1.25	200 (757)	9.2 (261)	11.0 (311)	18.4 (521)	22.0 (623)	1812 (822)	25.6 (2.38)	21	20	12	10	10,178	69	67 (1.70)	55 (1.40)	97 (2.46)
V-RVL-T-200P-SS-N-030*	3 (2.24)	1.5	1.25	200 (757)	14.2 (402)	17.0 (481)	28.4 (804)	34.0 (963)	1968 (893)	25.6 (2.38)	29	27	16	14	15,266	69	67 (1.70)	55 (1.40)	97 (2.46)
V-RVL-T-200P-SS-N-050*	5 (3.73)	1.5	1.25	200 (757)	21.7 (614)	26.0 (736)	43.4 (1229)	52.0 (1472)	2046 (928)	25.6 (2.38)	45	43	23	22	25,444	71	67 (1.70)	55 (1.40)	97 (2.46)
V-RVL-T-200P-SS-N-052*	5 (3.73)	3.0	2.0	200 (757)	30.8 (872)	37.0 (1048)	61.6 (1744)	74.0 (2095)	2280 (1034)	29.8 (2.77)	47	43	27	21	25,444	75	67 (1.70)	64 (1.63)	97 (2.46)
V-RVL-T-200P-SS-N-075	7.5 (5.59)	3.0	2.0	200 (757)	43.3 (1226)	52.0 (1472)	86.6 (2452)	104.0 (2945)	2857 (1296)	29.8 (2.77)	69	68	36	35	38,166	77	67 (1.70)	64 (1.63)	97 (2.46)
V-RVL-T-200P-SS-N-100*	10 (7.46)	3.0	2.0	200 (757)	54.2 (1535)	65.0 (1841)	108.4 (3070)	130.0 (3681)	2932 (1330)	29.8 (2.77)	85	83	42	41	50,888	77	67 (1.70)	64 (1.63)	97 (2.46)
V-RVL-T-200P-SS-N-101*	10 (7.46)	3.0	2.0	200 (757)	64.2 (1818)	77.0 (2180)	128.4 (3636)	154.0 (4361)	3277 (1486)	29.8 (2.77)	85	83	42	41	50,888	79	67 (1.70)	64 (1.63)	97 (2.46)
V-RVL-T-200P-SS-N-150*	15 (11.2)	4.0	3.0	200 (757)	92.5 (2619)	111.0 (3143)	185.0 (5239)	222.0 (6286)	4976 (2257)	76.7 (7.13)	154	116	69	60	76,332	82	138 (3.51)	80 (2.03)	93 (2.36)
V-RVL-T-200P-SS-N-200*	20 (14.9)	4.0	3.0	200 (757)	114.2 (3234)	137.0 (3879)	228.4 (6468)	274.0 (7759)	5579 (2531)	76.7 (7.13)	190	160	86	80	101,778	82	138 (3.51)	80 (2.03)	93 (2.36)
V-RVL-T-200P-SS-N-250*	25 (18.6)	4.0	3.0	200 (757)	140.0 (3964)	168.0 (4757)	280.0 (7929)	336.0 (9514)	6305 (2860)	76.7 (7.13)	208	190	113	95	127,222	82	138 (3.51)	80 (2.03)	93 (2.36)

*SYSTEM CONFIGURATION DIFFERS FROM MODEL SHOWN

**380 VOLT DATA PROVIDED AT 50HZ
ALL OTHER VOLTAGES ARE RATED AT 60HZ

ADDITIONAL MODELS AVAILABLE UPON REQUEST



600 Prime Place, Hauppauge
NY 11788, USA
Direct Tel: 905.764.0800
Tel: 1.877.462.6426
Fax: 1.866.440.4986