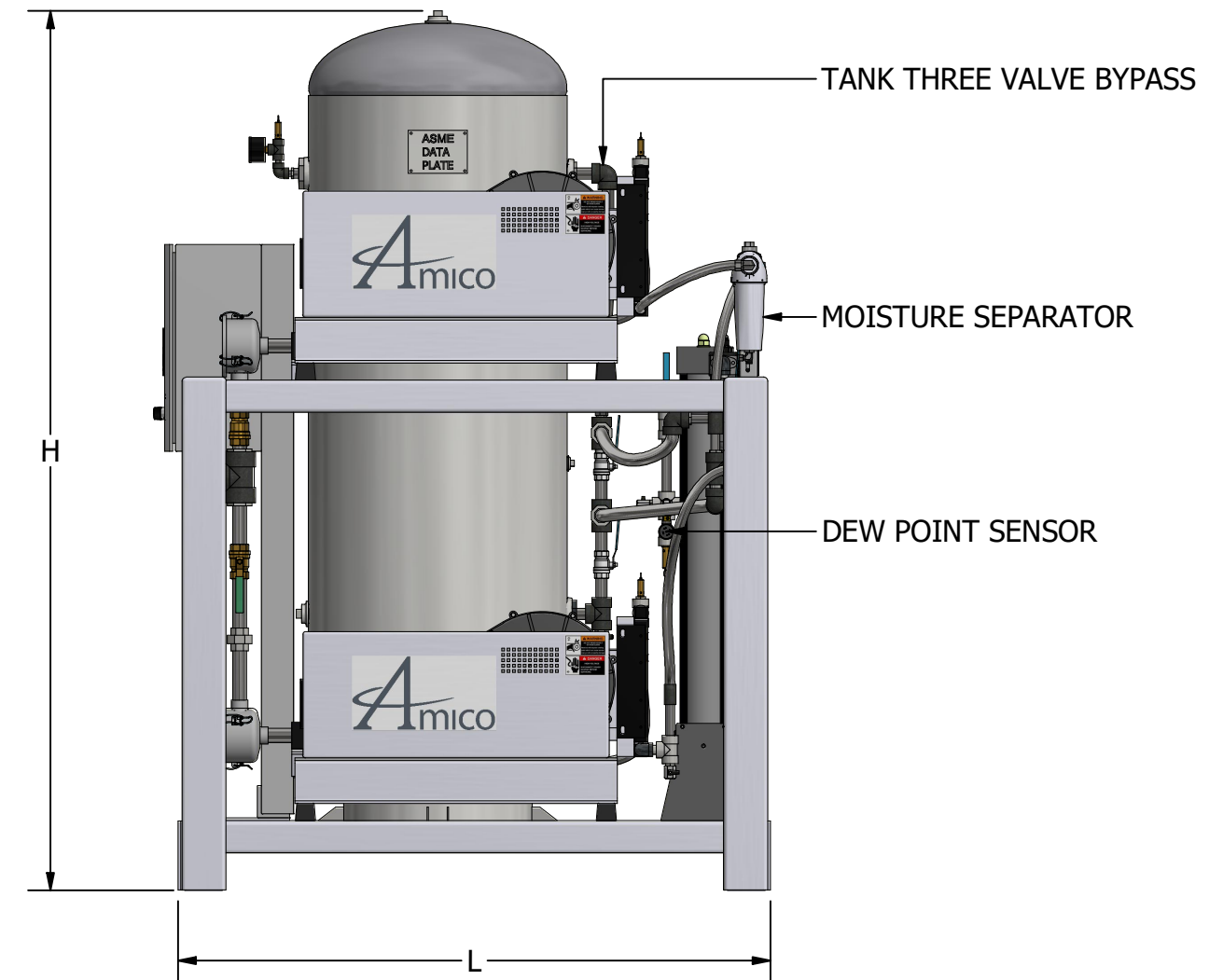
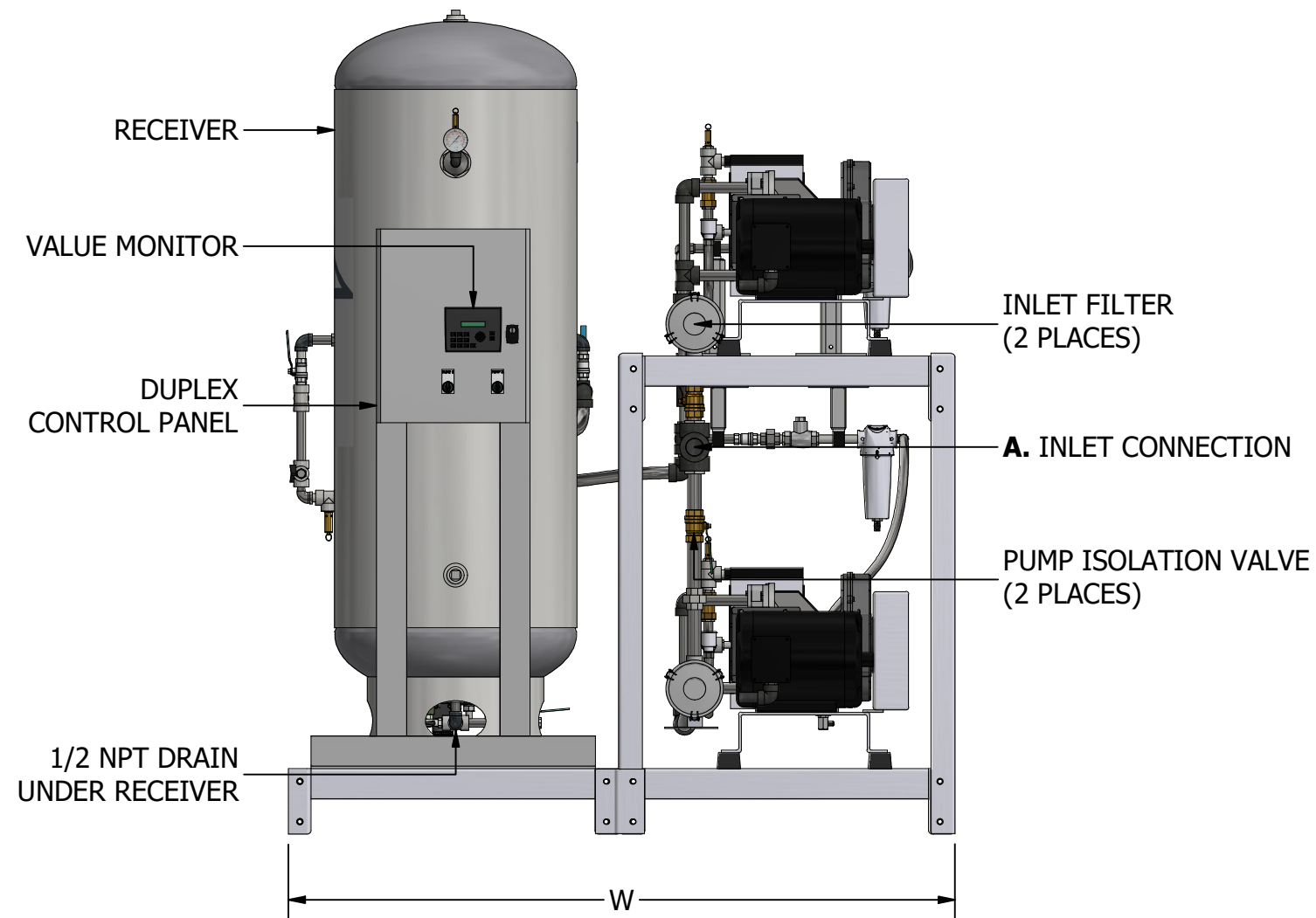
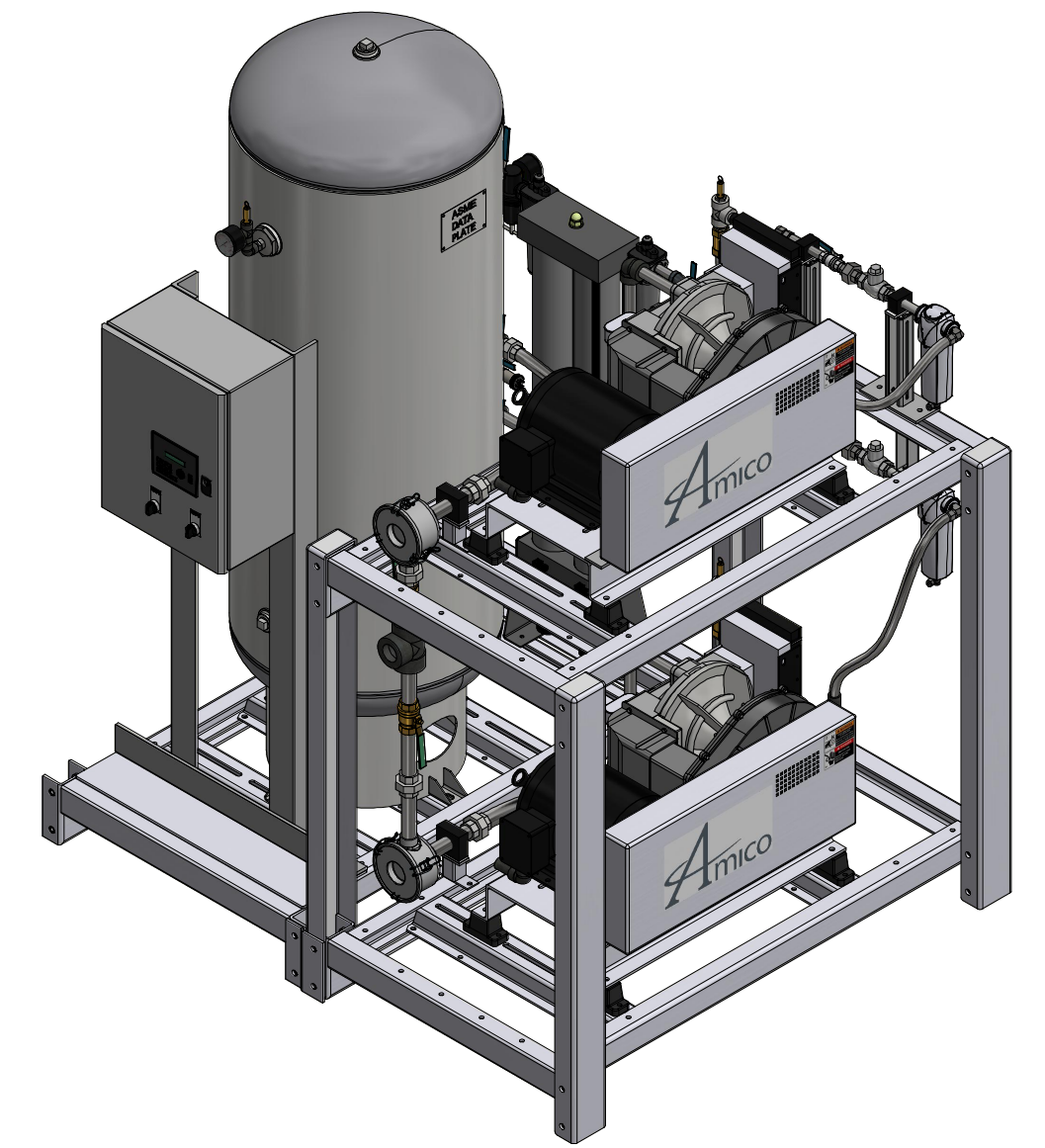
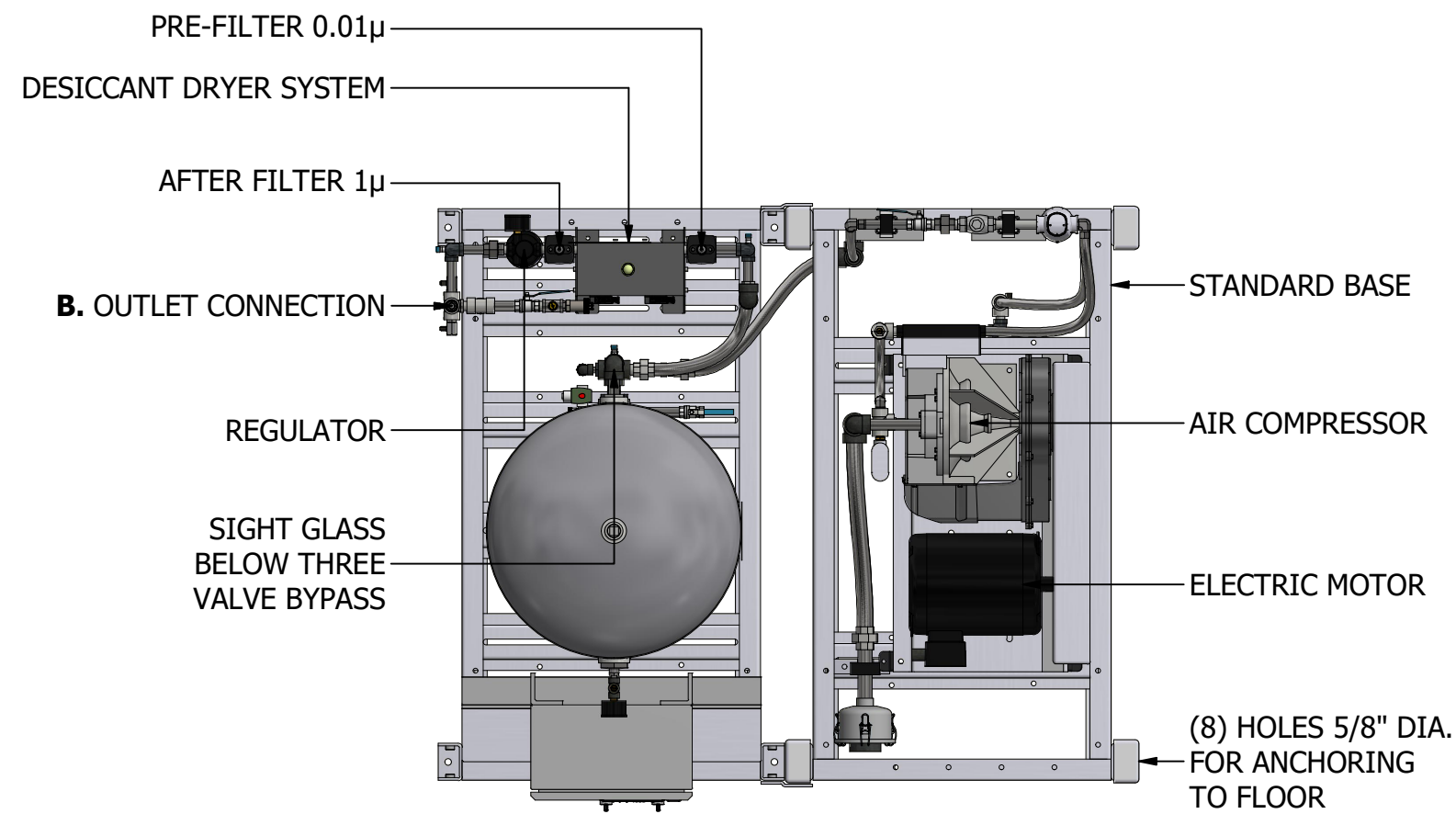


MODULAR STACK MOUNTED DUPLEX LABORATORY SCROLL AIR PLANT WITH DESICCANT AIR TREATMENT SYSTEM (3.0 HP - 10.0 HP)



*SYSTEM CONFIGURATION DIFFERS FROM MODEL SHOWN

**380 VOLT DATA PROVIDED AT 50HZ
ALL OTHER VOLTAGES ARE RATED AT 60HZ

DIMENSIONS SUBJECT TO CHANGE WITHOUT NOTICE

ADDITIONAL MODELS AVAILABLE UPON REQUEST



600 Prime Place, Hauppauge
NY 11788, USA
Direct Tel: 905.764.0800
Tel: 1.877.462.6426
Fax: 1.866.440.4986

| MODEL | HP (KW) | INLET NPT | OUTLET NPT | TANK SIZE GALLON (LITRE) | COMPRESSOR SCFM (LPM) | | SYSTEM CAPACITIES (LPM) | | WEIGHT IN LBS (KG) | SQ. FT. REQUIRED (M ²) | SYSTEM FLA (WITH ALL COMPRESSORS RUNNING) | | | | SYSTEM BTU/HR | SOUND LEVEL dB (A) | W (M) | L (M) | H (M) |
|-----------------------|------------|-----------|------------|--------------------------|-----------------------|------------|-------------------------|-------------|--------------------|------------------------------------|---|------|--------|------|---------------|--------------------|-----------|-----------|-----------|
| | | | | | @ 100 psig | @ 145 psig | @ 100 psig | @ 145 psig | | | 208V | 230V | 380V** | 460V | | | | | |
| A-SCD-D-120P-SS-L-031 | 3 (2.24) | 1.0 | 0.5 | 120 (454) | 7.3 (207) | 7.1 (201) | 14.6 (413) | 14.2 (402) | 1961 (889) | 25.6 (2.38) | 19 | 16 | 10 | 8 | 15,266 | 77 | 67 (1.70) | 55 (1.40) | 86 (2.18) |
| A-SCD-D-120P-SS-L-076 | 7.5 (5.59) | 1.5 | 0.5 | 120 (454) | 16.2 (459) | 15.5 (439) | 32.4 (917) | 31.0 (878) | 2047 (929) | 25.6 (2.38) | 42 | 37 | 22 | 18 | 38,166 | 77 | 67 (1.70) | 55 (1.40) | 86 (2.18) |
| A-SCD-D-120P-SS-L-101 | 10 (7.46) | 1.5 | 0.5 | 120 (454) | 24.9 (705) | 24.0 (680) | 49.8 (1410) | 48.0 (1359) | 2201 (998) | 25.6 (2.38) | 55 | 57 | 30 | 25 | 50,888 | 77 | 67 (1.70) | 55 (1.40) | 86 (2.18) |