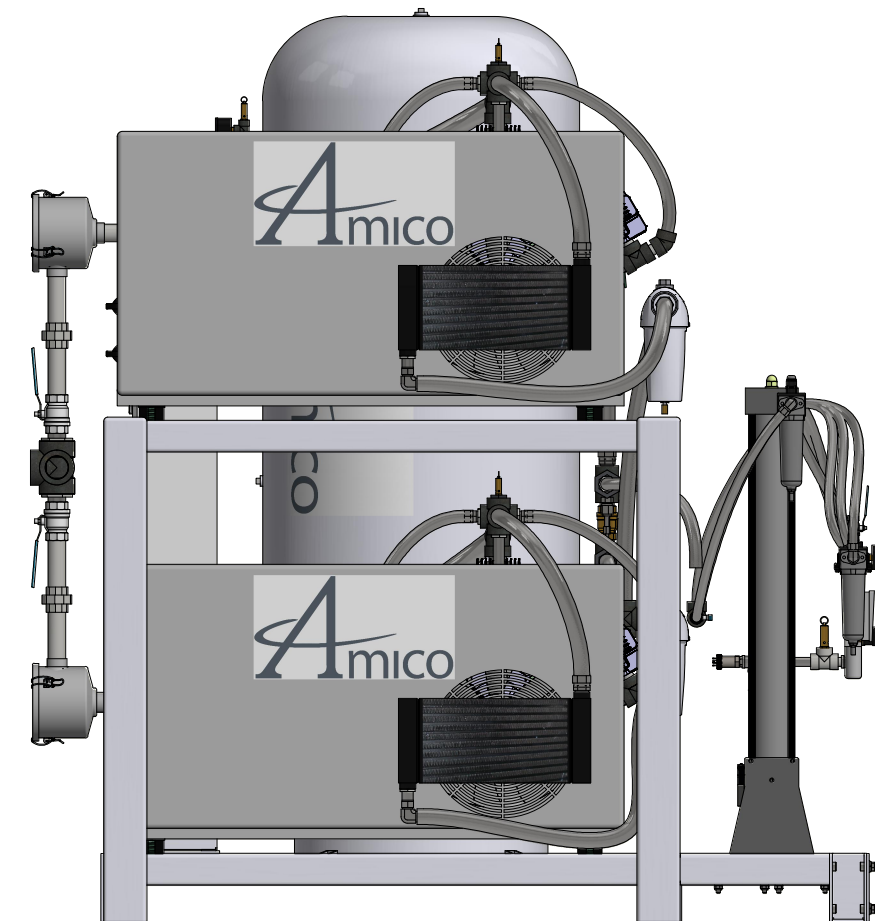
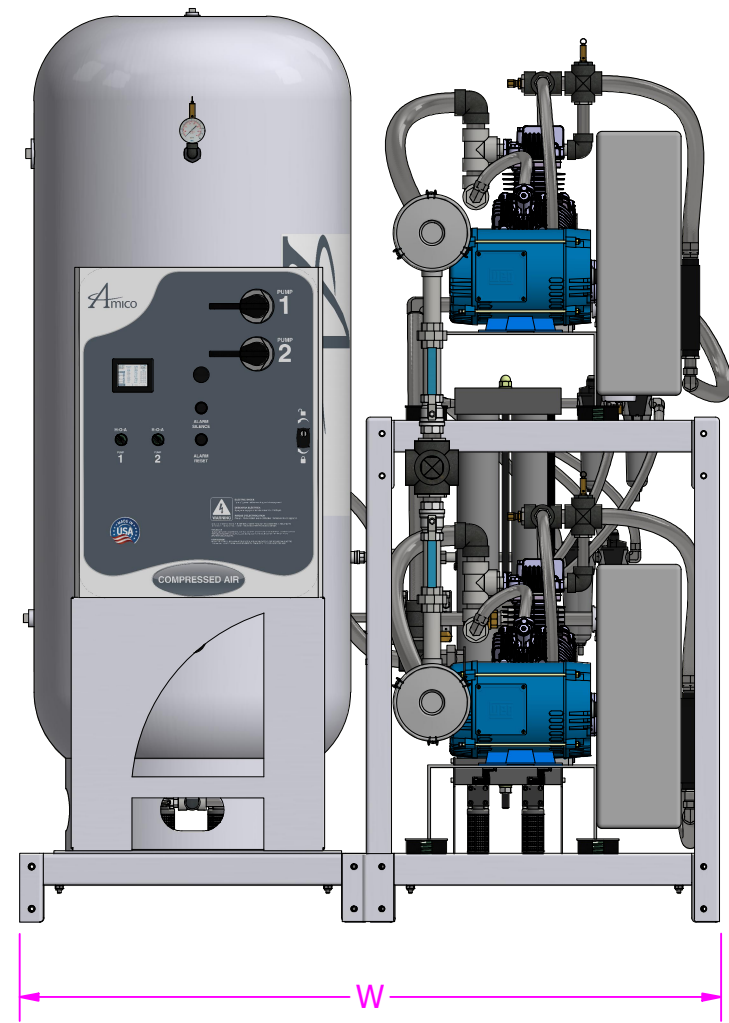
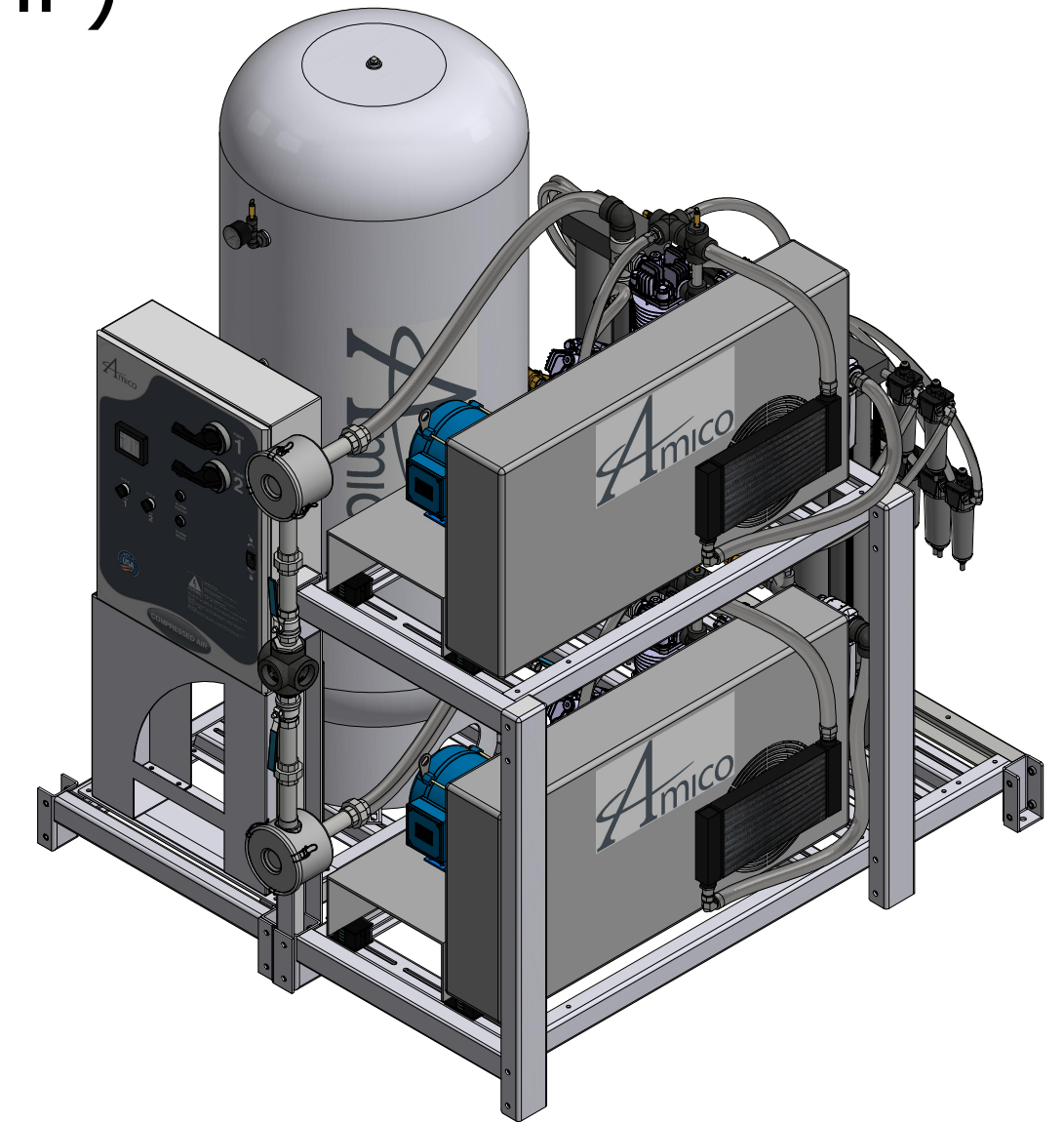
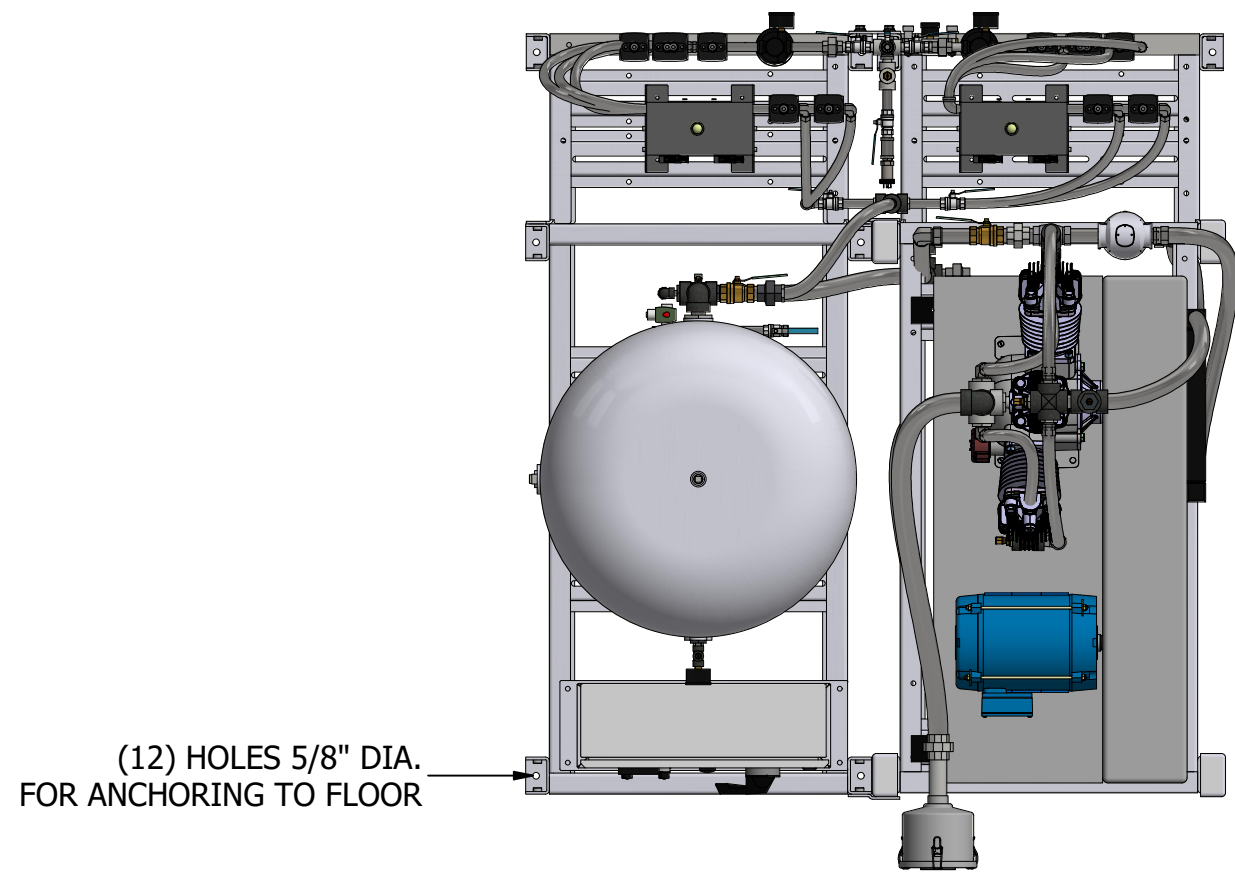


# DUPLEX RECIPROCATING AIR PLANT WITH DESICCANT AIR TREATMENT SYSTEM (1.0 HP - 20.0 HP)



DIMENSIONS SUBJECT TO CHANGE WITHOUT NOTICE

\*SYSTEM CONFIGURATION DIFFERS FROM MODEL SHOWN

\*\*380 VOLT DATA PROVIDED AT 50Z  
ALL OTHER VOLTAGES ARE RATED AT 60HZ

ADDITIONAL MODELS AVAILABLE UPON REQUEST

MODEL	HP (kW)	A INLET NPT	B OUTLET NPT	TANK SIZE GALLON (LITRE)	COMPRESSOR SCFM (LPM)		NFPA SYSTEM CAPACITIES WITH ONE COMPRESSOR ON STANDBY (LPM)		WEIGHT IN LBS (KG)	SQ. FT. REQUIRED (M <sup>2</sup> )	SYSTEM FLA (WITH ALL COMPRESSORS RUNNING)				SYSTEM BTU/HR	SOUND LEVEL dB (A)	W (M)	L (M)	H (M)
					@ 50 psig	@ 100 psig	@ 50 psig	@ 100 psig			208V	230V	380V**	460V					
A-RED-D-200P-SS-N-010	1 (0.75)	1.25	0.5	200 (757)	4.1 (116)	3.3 (93)	4.1 (116)	3.3 (93)	1722 (781)	34.9 (3.25)	11	12	6	6	2,544	72	67 (1.70)	75 (1.91)	91 (2.31)
A-RED-D-200P-SS-N-020	2 (1.49)	1.25	0.5	200 (757)	7.8 (221)	6.6 (187)	7.8 (221)	6.6 (187)	1782 (808)	34.9 (3.25)	17	15	9	8	5,089	73	67 (1.70)	75 (1.91)	91 (2.31)
A-RED-D-200P-SS-N-030	3 (2.24)	1.25	0.5	200 (757)	10.1 (286)	9.4 (266)	10.1 (286)	9.4 (266)	1866 (846)	34.9 (3.25)	23	21	11	10	7,633	74	67 (1.70)	75 (1.91)	91 (2.31)
A-RED-D-200P-SS-N-050	5 (3.73)	1.25	0.5	200 (757)	18.4 (521)	15.4 (436)	18.4 (521)	15.4 (436)	2026 (919)	34.9 (3.25)	37	32	17	16	12,722	76	67 (1.70)	75 (1.91)	91 (2.31)
A-RED-D-200P-SS-N-075	7.5 (5.59)	2.0	0.5	200 (757)	28.1 (796)	23.3 (660)	28.1 (796)	23.3 (660)	2186 (992)	34.9 (3.25)	51	44	23	22	19,083	78	67 (1.70)	75 (1.91)	91 (2.31)
A-RED-D-200P-SS-N-100	10 (7.46)	2.0	0.5	200 (757)	37.1 (1051)	32.5 (920)	37.1 (1051)	32.5 (920)	2462 (1117)	34.9 (3.25)	67	59	35	30	25,444	81	67 (1.70)	75 (1.91)	91 (2.31)
A-RED-D-200P-SS-N-150	15 (11.2)	2.0	1.0	200 (757)	54.7 (1549)	47.7 (1351)	54.7 (1549)	47.7 (1351)	2600 (1179)	35.8 (3.33)	96	83	44	42	38,167	84	67 (1.70)	77 (1.96)	91 (2.31)
A-RED-D-200P-SS-N-200	20 (14.9)	2.0	1.0	200 (757)	73.1 (2070)	61.8 (1750)	73.1 (2070)	61.8 (1750)	3010 (1365)	74.3 (6.90)	134	108	43	54	50,899	84	123 (3.12)	87 (2.21)	100 (2.54)



85 Fulton Way, Richmond Hill  
Ontario, L4B 2N4 Canada  
71 East Industry Court  
Deer Park, NY 11729  
Direct Tel: 905.764.0800  
Tel: 1.877.462.6426  
Fax: 1.866.440.4986