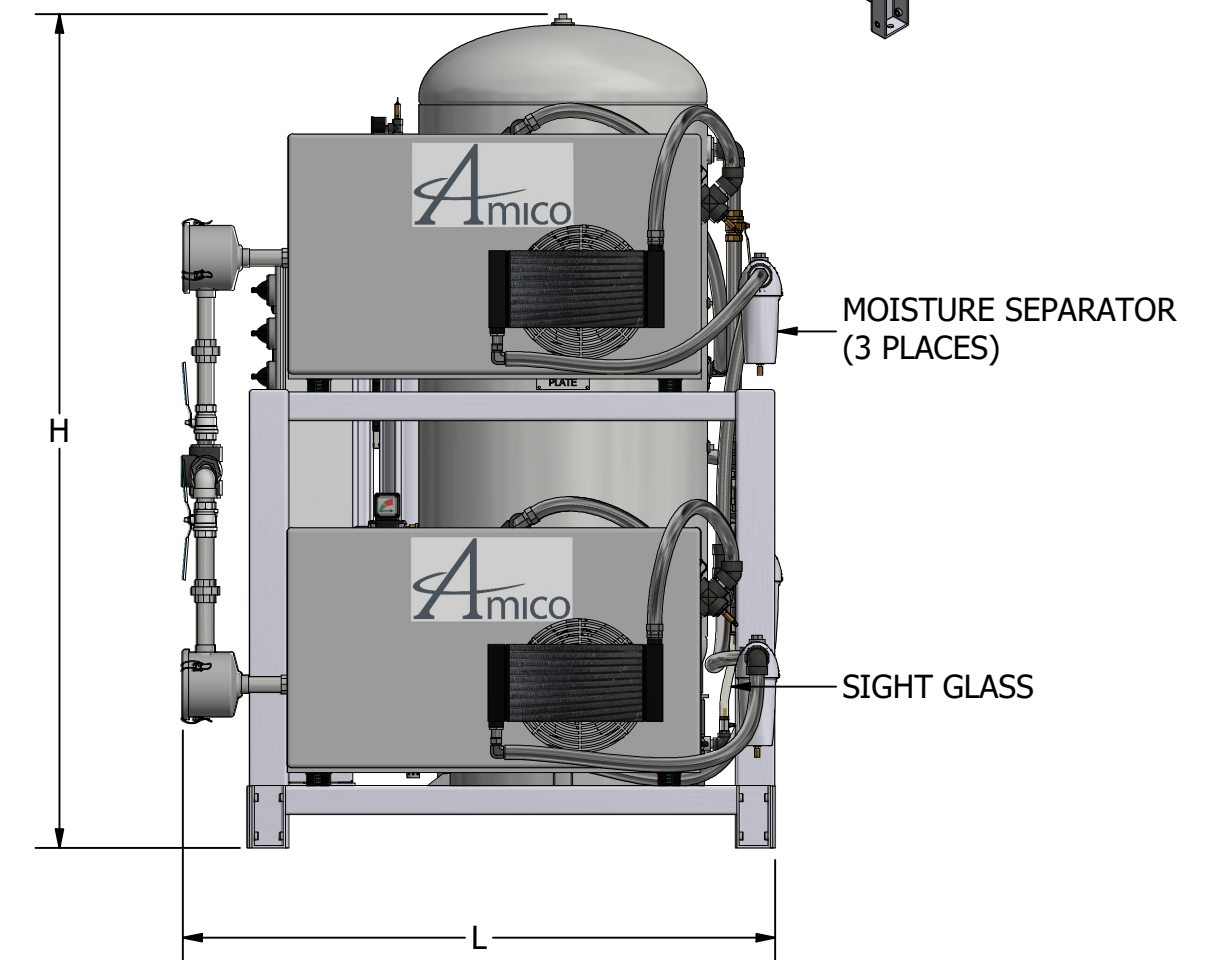
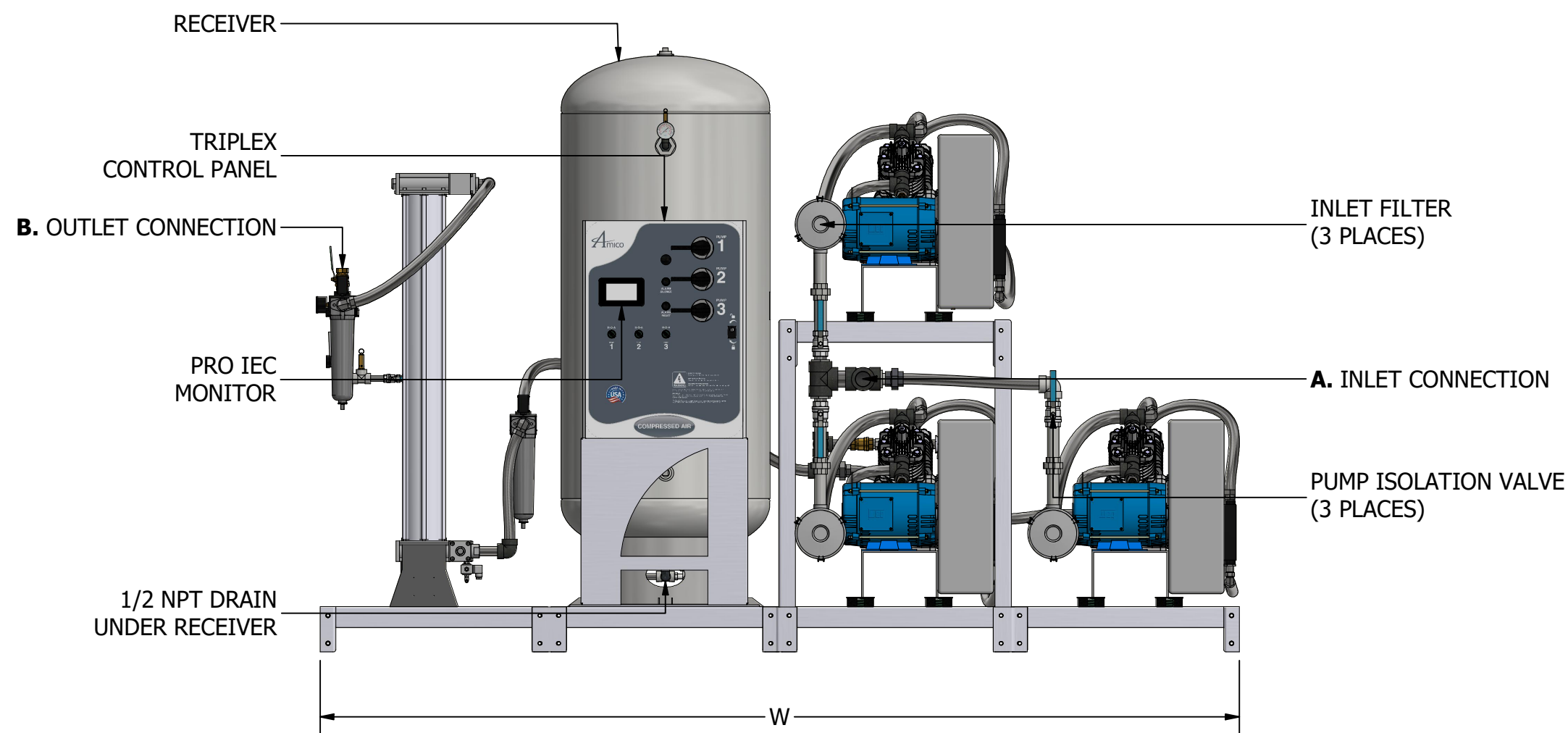
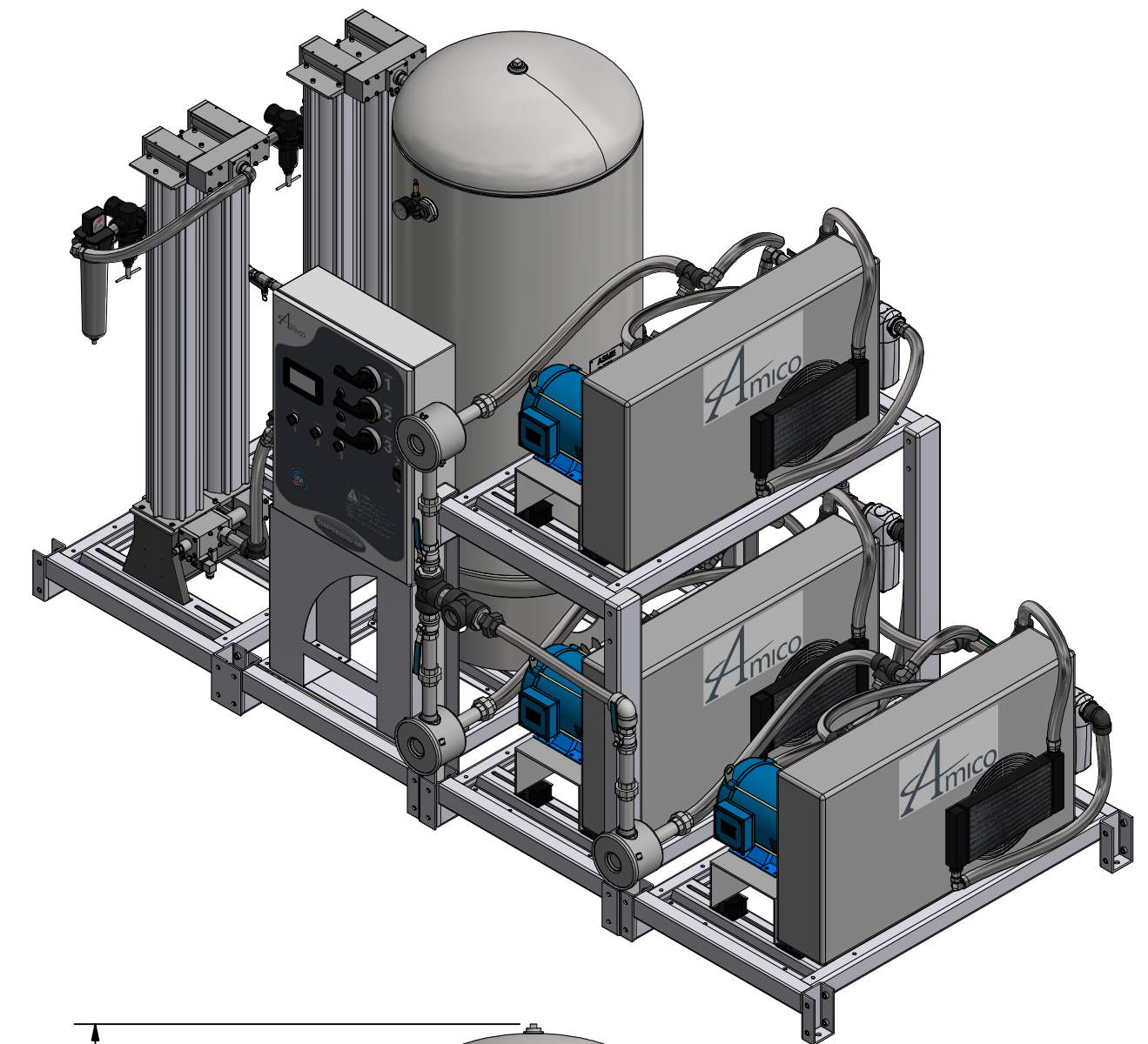
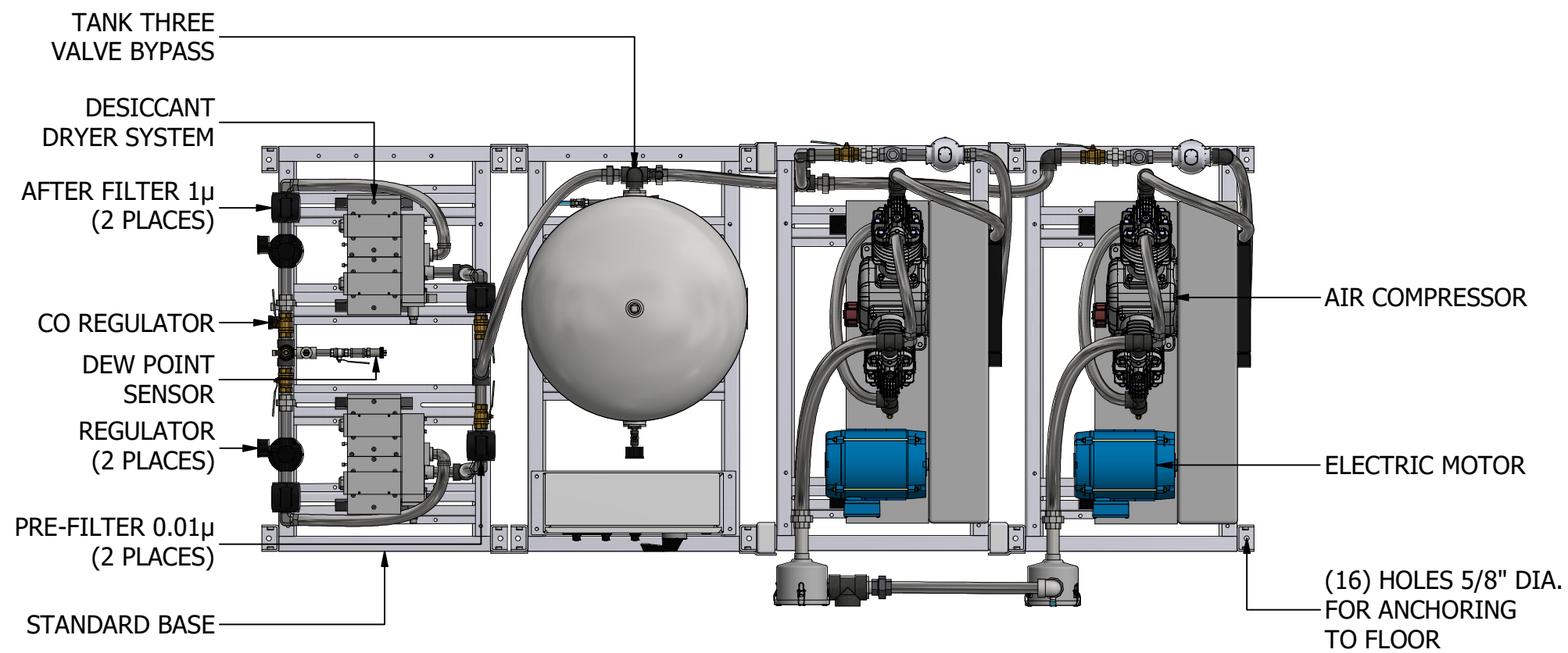


TRIPLEX RECIPROCATING AIR PLANT WITH DESICCANT AIR TREATMENT SYSTEM (7.5 HP - 20.0 HP)



*SYSTEM CONFIGURATION DIFFERS FROM MODEL SHOWN

**380 VOLT DATA PROVIDED AT 50HZ
ALL OTHER VOLTAGES ARE RATED AT 60HZ

DIMENSIONS SUBJECT TO CHANGE WITHOUT NOTICE

ADDITIONAL MODELS AVAILABLE UPON REQUEST

MODEL	HP (kW)	A INLET NPT	B OUTLET NPT	TANK SIZE GALLON (LITRE)	COMPRESSOR SCFM (LPM)		NFPA SYSTEM CAPACITIES WITH ONE COMPRESSOR ON STANDBY (LPM)		WEIGHT IN LBS (KG)	SQ. FT. REQUIRED (M ²)	SYSTEM FLA (WITH ALL COMPRESSORS RUNNING)				SYSTEM BTU/HR	SOUND LEVEL dB (A)	W (M)	L (M)	H (M)
					@ 50 psig	@ 100 psig	@ 50 psig	@ 100 psig			208V	230V	380V**	460V					
A-RED-T-200P-SS-N-075*	7.5 (5.59)	2.0	0.5	200 (757)	28.1 (796)	23.3 (660)	56.2 (1591)	46.6 (1320)	2658 (1206)	56.9 (5.28)	64	58	34	28	38,166	81	100 (2.54)	82 (2.08)	91 (2.31)
A-RED-T-200P-SS-N-100	10 (7.46)	2.0	1.0	200 (757)	37.1 (1051)	32.5 (920)	74.2 (2101)	65.0 (1841)	3335 (1513)	60.0 (5.58)	84	76	46	38	50,888	84	133 (3.38)	65 (1.65)	91 (2.31)
A-RED-T-200P-SS-N-150*	15 (11.2)	2.0	1.0	200 (757)	54.7 (1549)	47.7 (1351)	109.4 (3098)	95.4 (2701)	3500 (1588)	61.9 (5.75)	118	107	65	54	76,334	87	133 (3.38)	67 (1.70)	91 (2.31)
A-RED-T-200P-SS-N-200*	20 (14.9)	3.0	1.0	200 (757)	73.1 (2070)	61.8 (1750)	146.2 (4140)	123.6 (3500)	4556 (2067)	116 (10.8)	162	147	83	73	101,778	87	184 (4.68)	91 (2.31)	102 (2.59)



600 Prime Place, Hauppauge
NY 11788, USA
Direct Tel: 905.764.0800
Tel: 1.877.462.6426
Fax: 1.866.440.4986